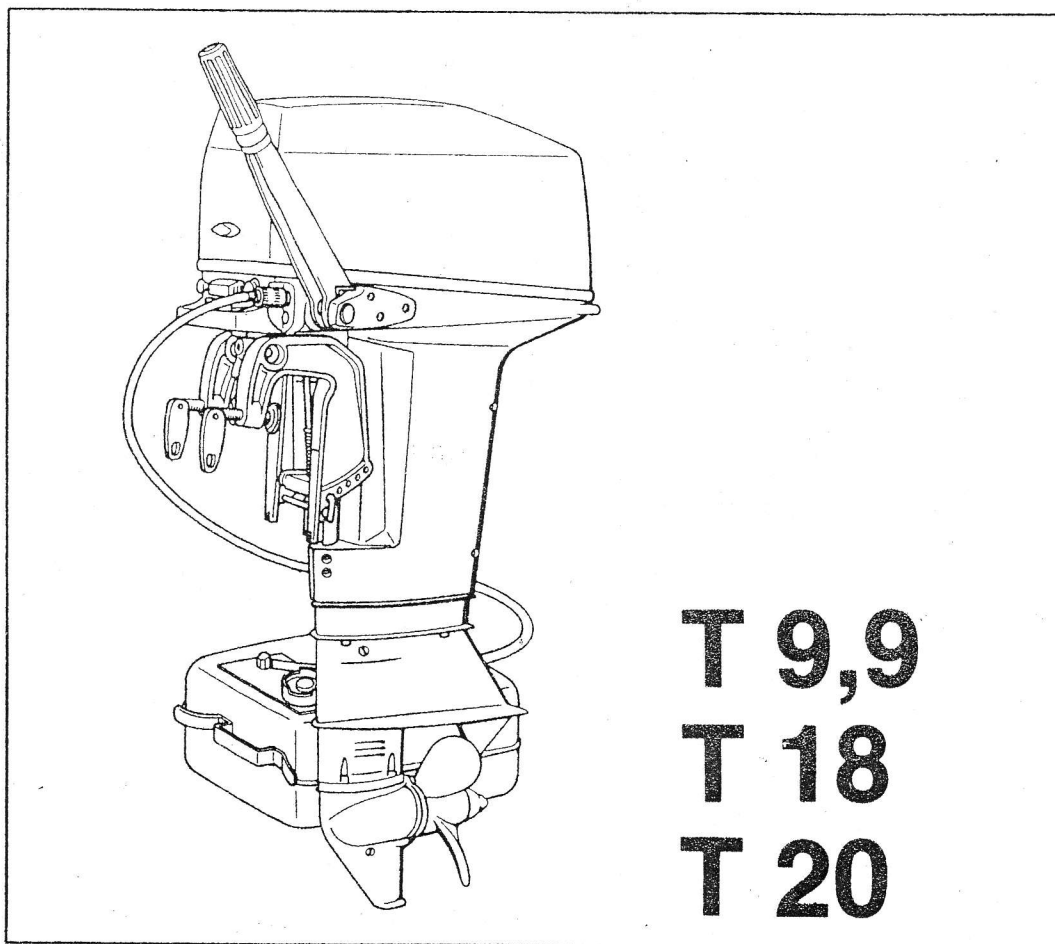


TOMOS

TRGOVINA I SERVIS MOTORNH PHLA,
KOSILICA, SKUTERA I REZERVNIH DIJELOVA
vl. Sven Jurec
RUSVIČKA 24, 10370 DUŠO SELO
01/2753-614 098/283-192
www.jurec.hr



LEGENDA
LEGENDE

● KOMPLET
COMPLET
COMPLET
COMPLETO

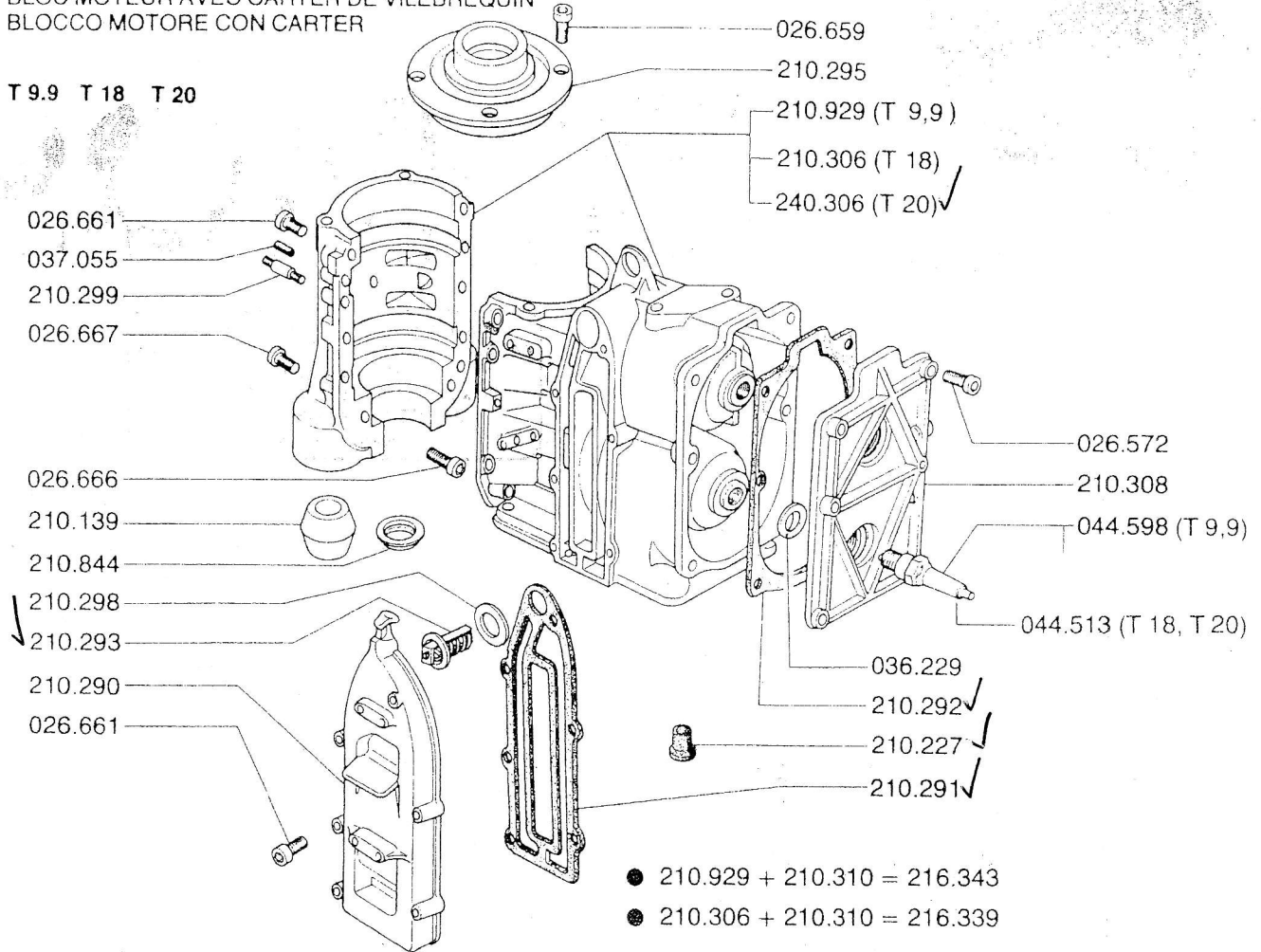
○ SPADA K KOMPLETU
WITH THE COMPLET
AVEC DE COMPLET
CON IL COMPLETO

1989
rezervni deli
spare parts
pièces détachées
parti di ricambio

BLOK MOTORJA Z OHIŠJEM MOTORNE GREDI
 ENGINE BLOCK WITH CRANKSHAFT HOUSING
 BLOC MOTEUR AVEC CARTER DE VILEBREQUIN
 BLOCCO MOTORE CON CARTER

A

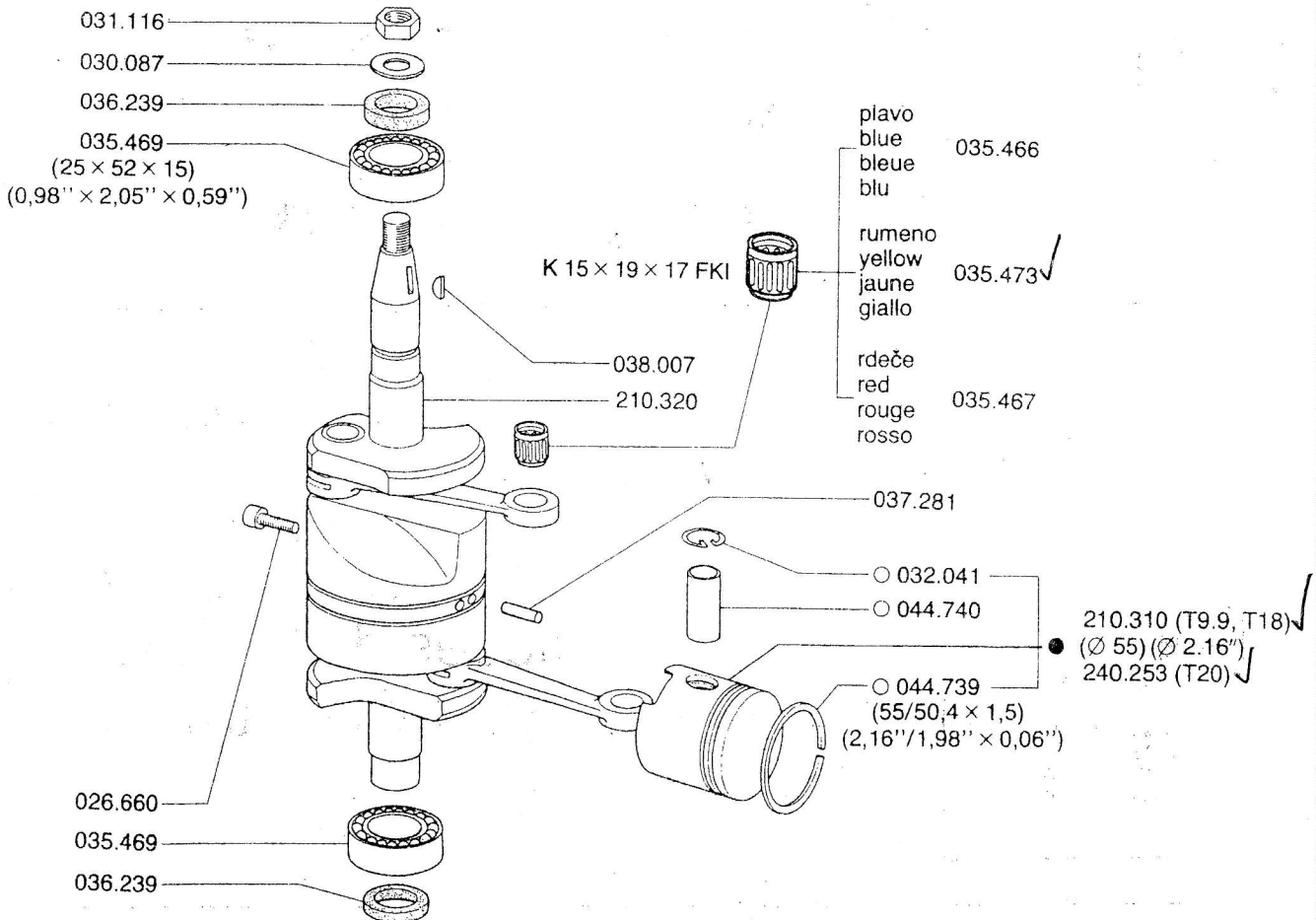
T 9.9 T 18 T 20



MOTORNA GRED Z BATOMA
 CRANKSHAFT WITH PISTONS
 VILEBREQUIN AVEC PISTONS
 ALBERO MOTORE CON PISTONI

T 9.9 T 18 T 20

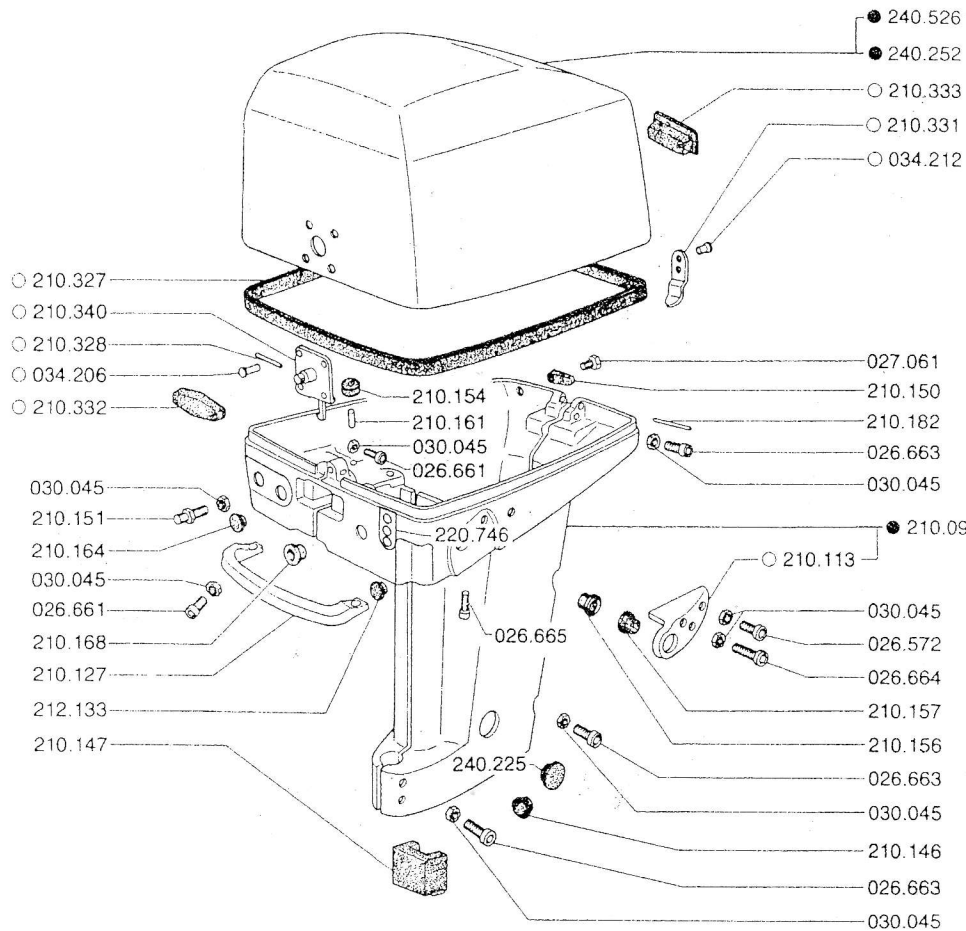
B



OKROV, POKROV
ENGINE HOUSING, ENGINE COVER
COUVERCLE DE MOTEUR, CAPOT DE MOTEUR
CALANDRA MOTORE, FIANCATE

T 9.9 T 18 T 20

C



Set nalepk Set of decals Jeu de joints Compl. di decalcomanie	
T 9.9	240.644
T 18	240.645
T 9.9 UTR	240.519
T 9.9 TRAVLER	240.515
T 18 UTR	240.520
T 18 TRAVLER	240.516
T 20	240.646

TRGOVINA I SERVIS MOTORNIH PILA,
KOSILICA, SKUTERA I REZERVNIH DIJELOVA
vl. Sven Jurcic
RUČVIČKA 24, 10370 DUGO SELO
01/2793-614 098/283-192
www.jurec.hr

SPOJNO OHIŠJE, PROPELERSKA GLAVA
CONNECTION HOUSING, GEAR HOUSING WITH PROPELLER
COUVERCLE DE LIAISON, BOIT DE RENVOI PORT HELICE
CAPOTTATURA DI FISSAGGIO, PIEDE ELICA

D

T 9.9 T 18 T 20

Propelerska glava
kpl.
Gear housing
cpl.
Boit de renvoi
cpl.
Piede elica
cpl.

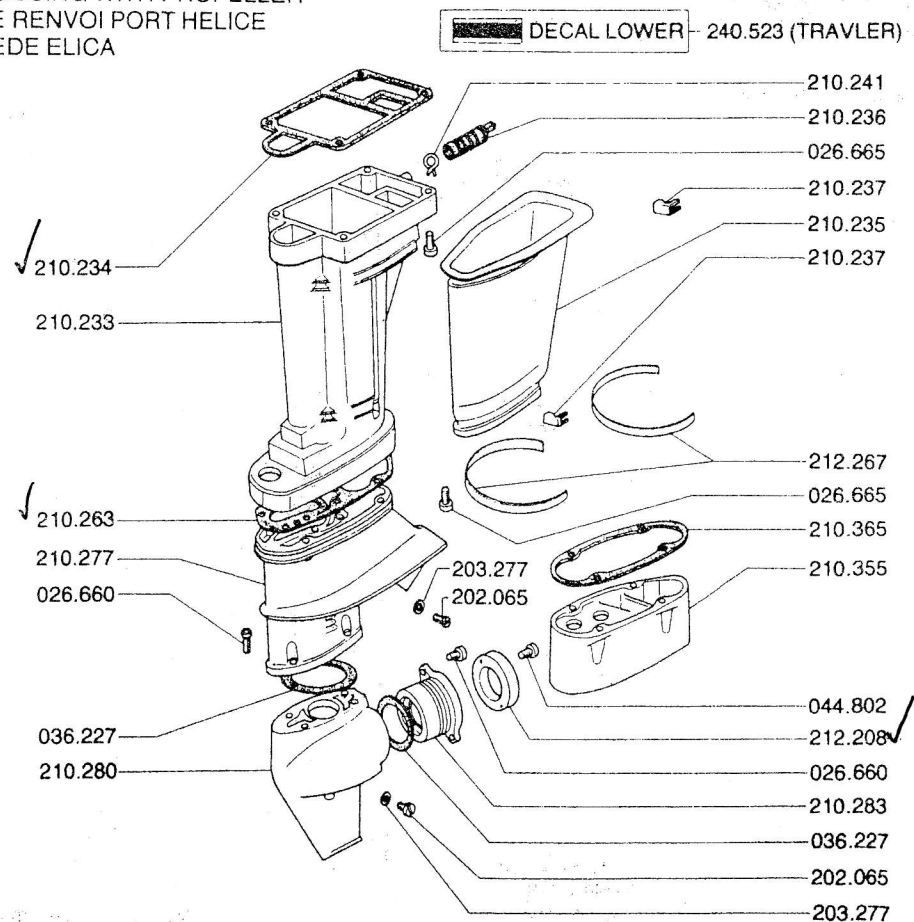
216.268

Garnitura delov za
dolgo izvedbo
Set of parts for
long shaft model
Garniture pièces
execution arbre long
Serie componenti
piede versione lunga

216.270

Garnitura delov za
kratko izvedbo
Set of parts for
short shaft model
Garniture pièces
execution arbre court
Serie componenti
piede versione corta

216.271



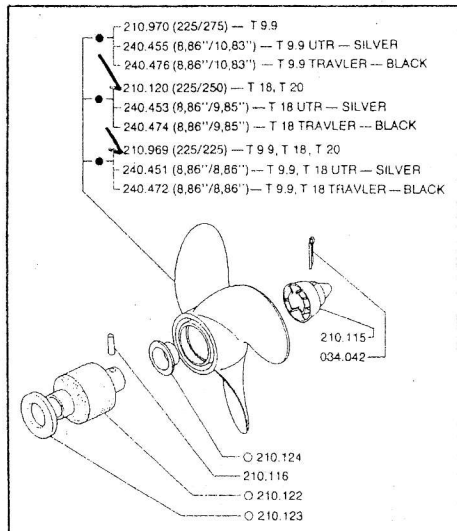
DECAL LOWER 240.523 (TRAVLER)

- 210.241
- 210.236
- 026.665
- 210.237
- 210.235
- 210.237
- 212.267
- 026.665
- 210.365
- 210.355
- 044.802
- 212.208
- 026.660
- 210.283
- 036.227
- 202.065
- 203.277
- 210.280
- 202.065
- 203.277
- 210.234
- 210.233
- 210.263
- 210.277
- 026.660
- 203.277
- 202.065
- 036.227
- 210.280

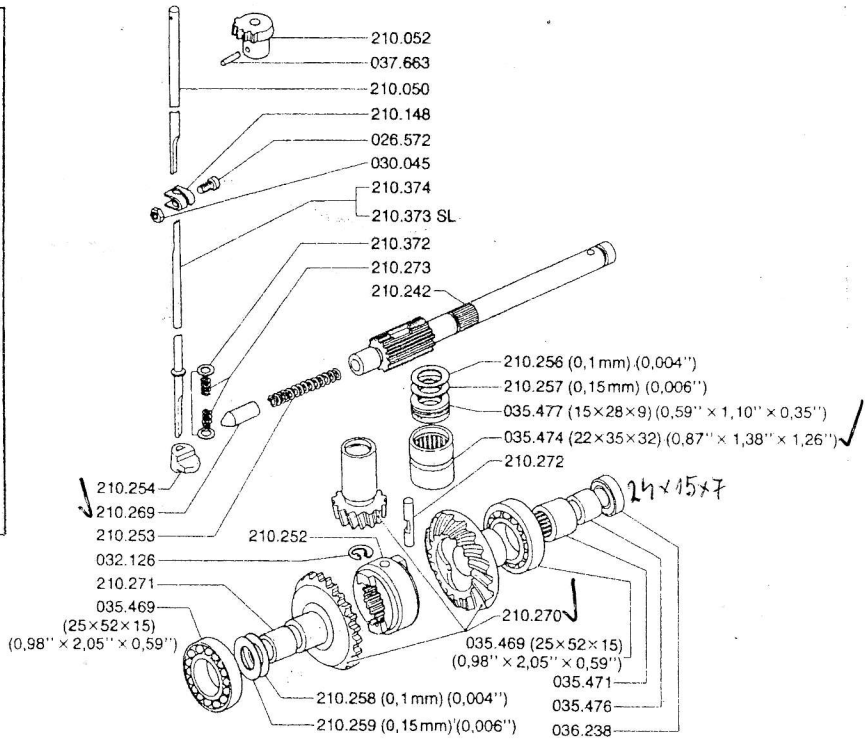
GREDE PROPELERJA S PRETIČNIM MEHANIZMOM
PROPELLER SHAFT WITH GEARSHIFT MECHANISM
ARBRE DE HELICE AVEC VITESSE MECHANIQUE
ALBERO ELICA CON CAMBIO

E

T 9.9 T 18 T 20



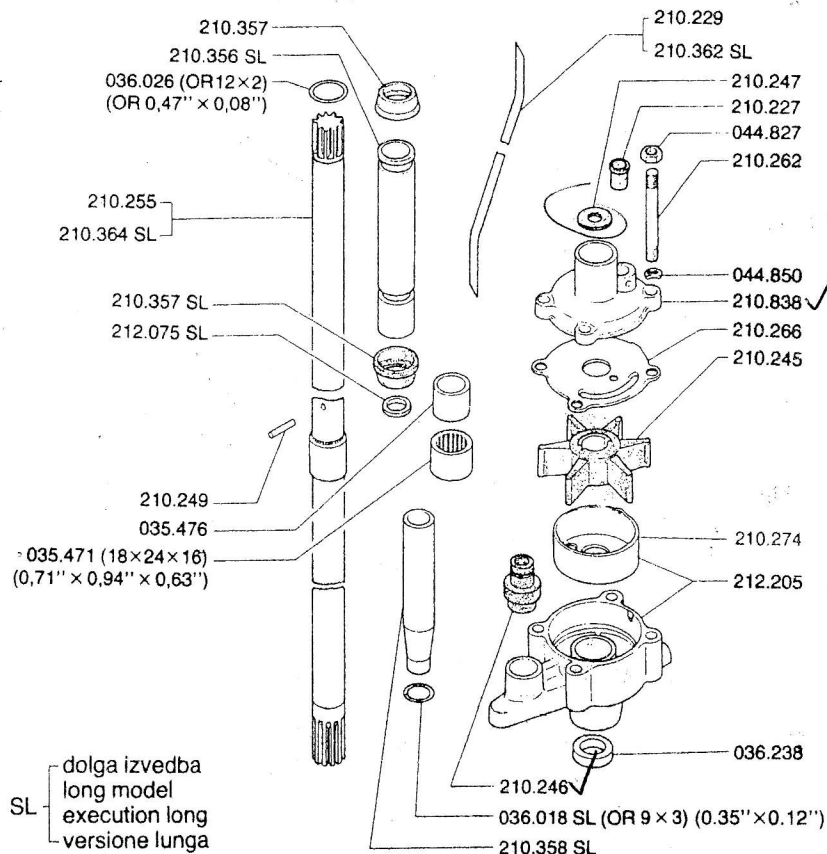
SL { dolga izvedba
 long model
 execution long
 versione lunga



SPOJNA GREDE S ČRPALKO
CONNECTING SHAFT WITH WATER PUMP
LIAISON ARBRE AVEC EAU POMPE
ALBERO TRASMISSIONE E POMPA ACQUA

F

T 9.9 T 18 T 20

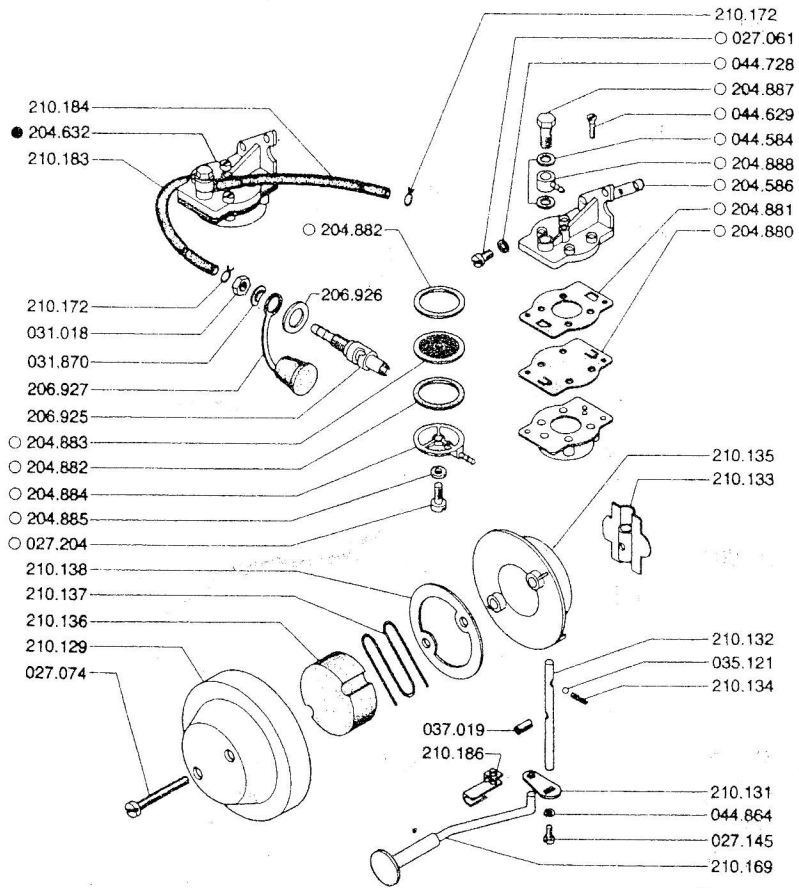


SL { dolga izvedba
 long model
 execution long
 versione lunga

ČRPALKA ZA GORIVO Z DUŠILCEM SESALNIH ŠUMOV
 FUEL PUMP WITH INTAKE SILENCER
 POMPE DE COMBUSTIBLE AVEC AMORTISSEUR DE BRUITS D'ADMISSION
 POMPA CARBURANTE SILENZIATORE D'ASPIRAZIONE

G

T 9.9 T 18 T 20

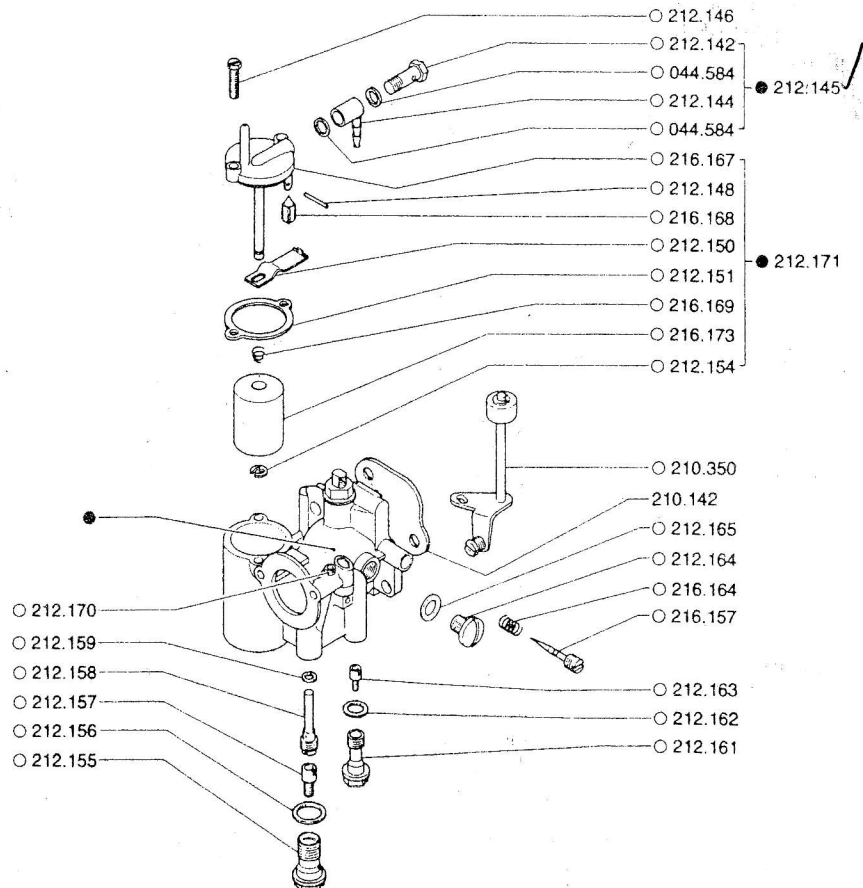


TRGOVINA I SERVIS MOTORNH PILA,
 KOSILICA, SKUTERA I REZERVNIH DIJELOVA
 M. Sven Jurec
 RUGVIČKA 24, 10370 DUJO SELO
 01/2753-614 0598/283-192
 www.jurec.hr

UPLINJAČ
 CARBURETTOR ● 212.640 BING (8/22/101)
 CARBURATEUR
 CARBURATORE

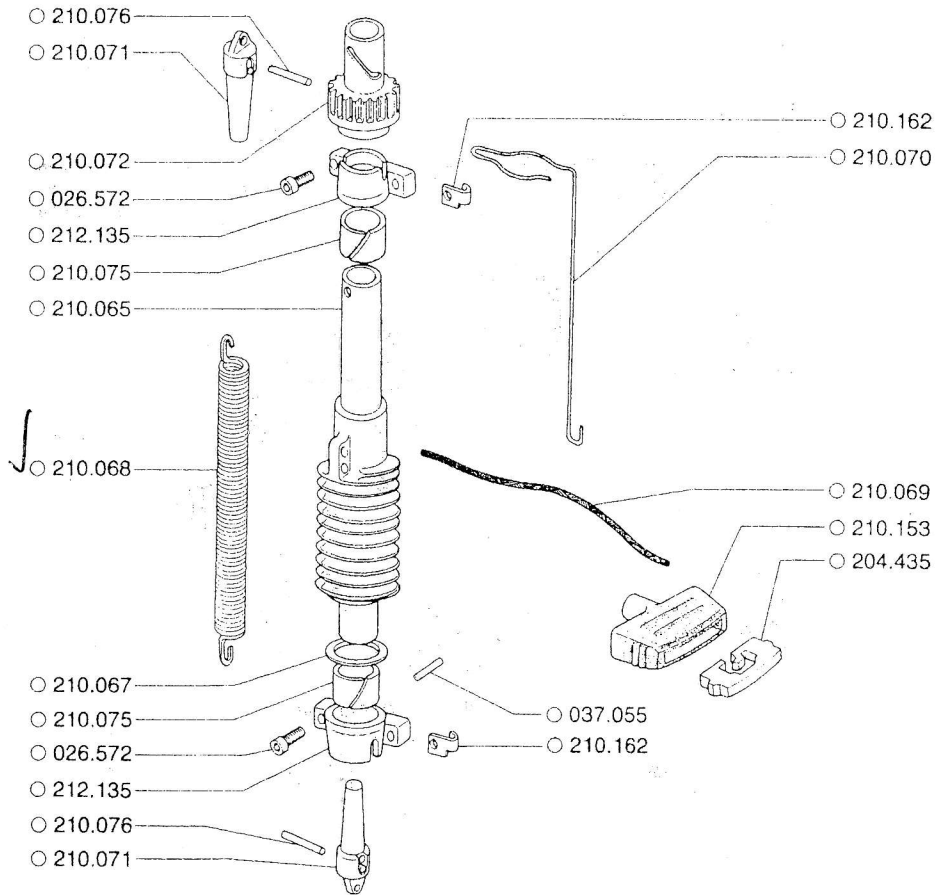
H

T 9.9 T 18 T 20



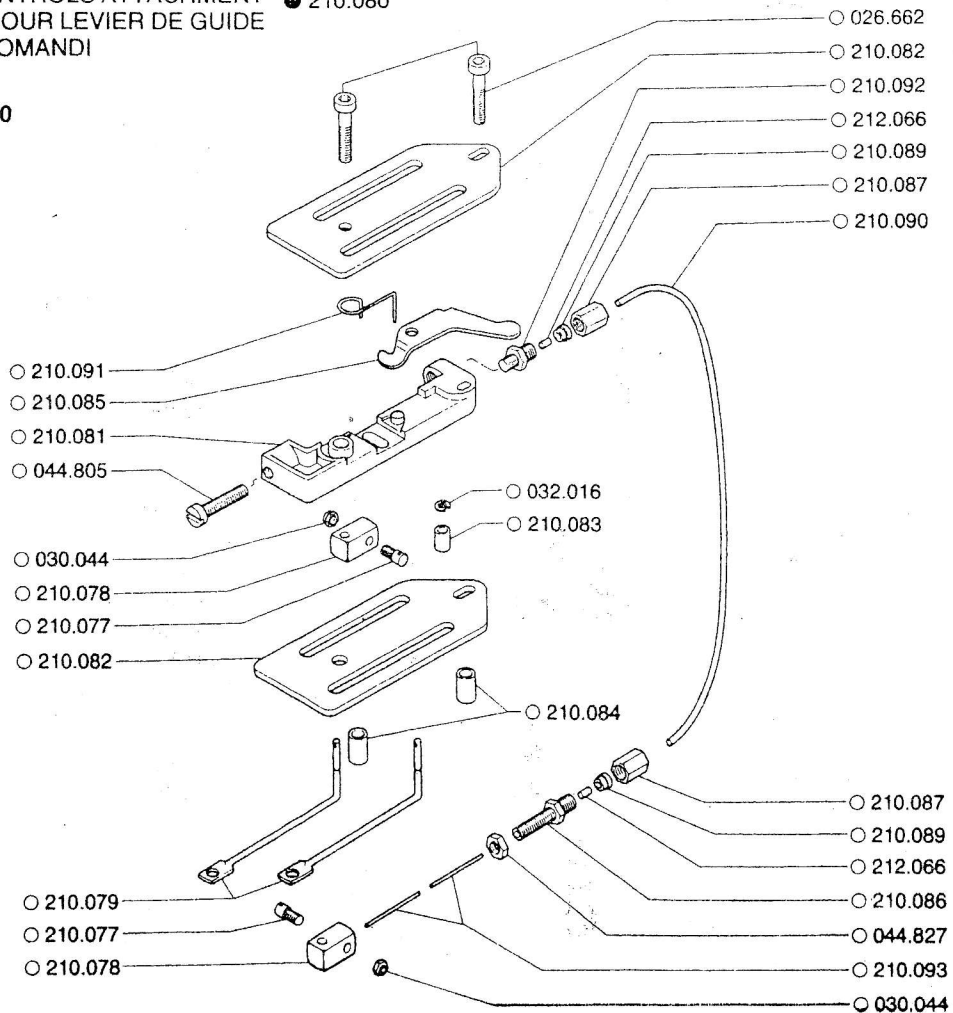
ZAGANJALNA NAPRAVA
 STARTER DEVICE ● 210.060
 DISPOSITIF DE LANCEMENT
 DISPOSITIVO DI AVVIAMENTO

T 9.9 T 18 T 20



PRIKLJUČEK ZA UPRAVLJANJE
 OPERATING CONTROLS ATTACHMENT ● 210.080
 ATTACHMENT POUR LEVIER DE GUIDE
 ATTACCHI PER COMANDI

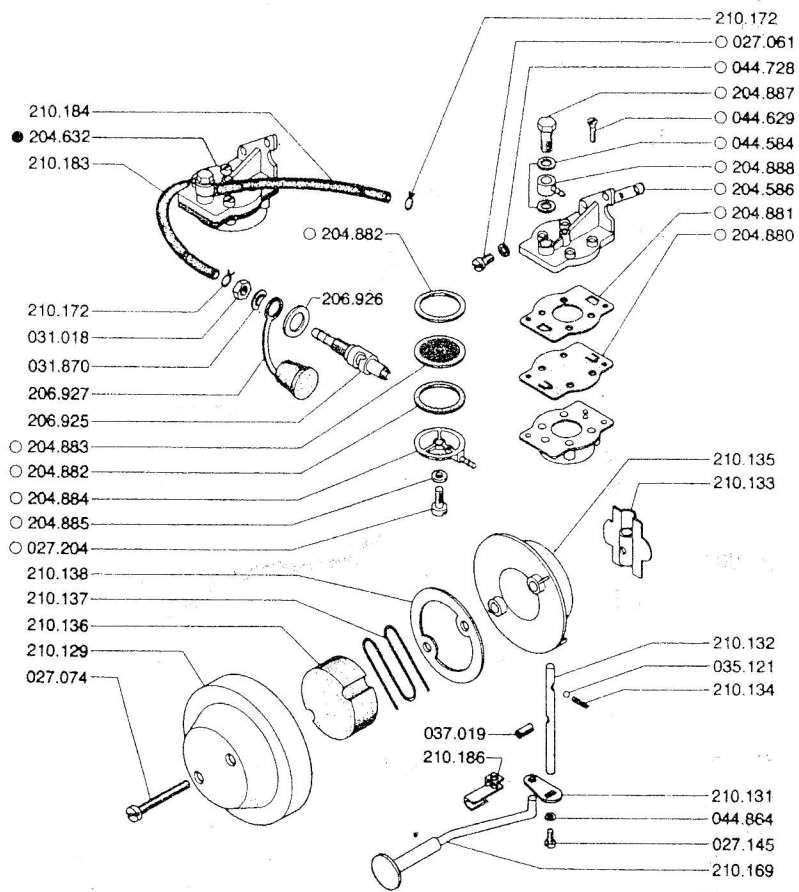
T 9.9 T 18 T 20



ČRPALKA ZA GORIVO Z DUŠILCEM SESALNIH ŠUMOV
 FUEL PUMP WITH INTAKE SILENCER
 POMPE DE COMBUSTIBLE AVEC AMORTISSEUR DE BRUITS D'ADMISSION
 POMPA CARBURANTE SILENZIATORE D'ASPIRAZIONE

G

T 9.9 T 18 T 20

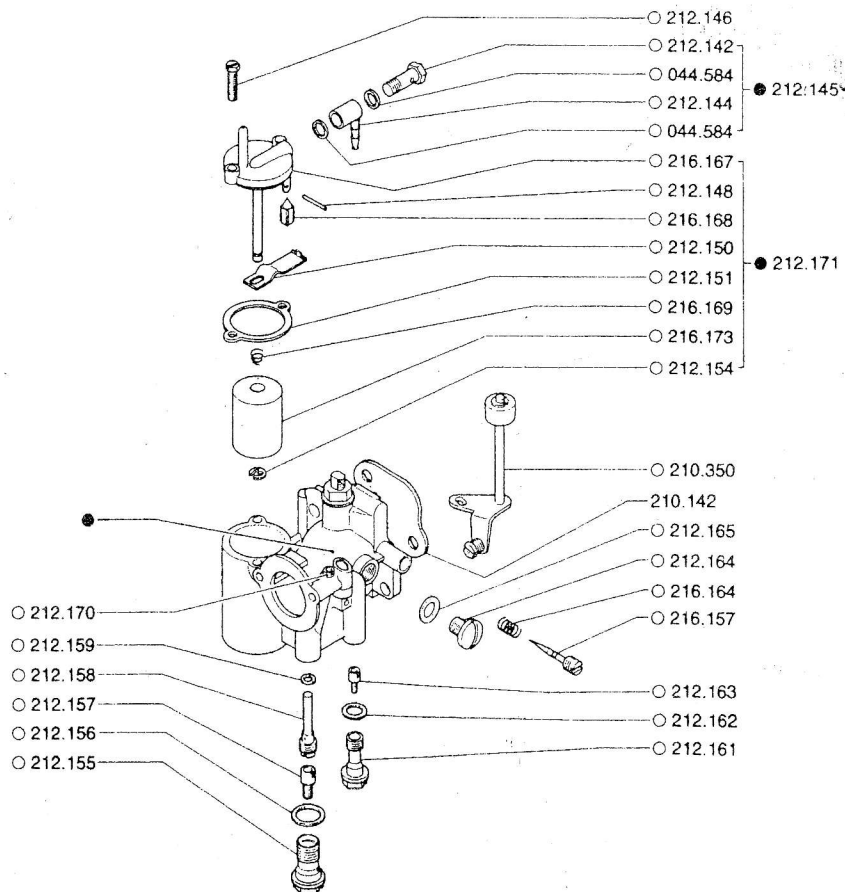


TRGOVINA I SERVIS MOTORNIH PILA,
 KOSILICA, SKUTERA I REZERVNIIH DIJELOVA
 vl. Sven Jurec
 RUGVIČKA 24, 10370 DUOGO SELO
 01/2753-614 098/283-192
 www.jurec.hr

UPLINJAČ
 CARBURETTOR ● 212.640 BING (8/22/101)
 CARBURATEUR
 CARBURATORE

H

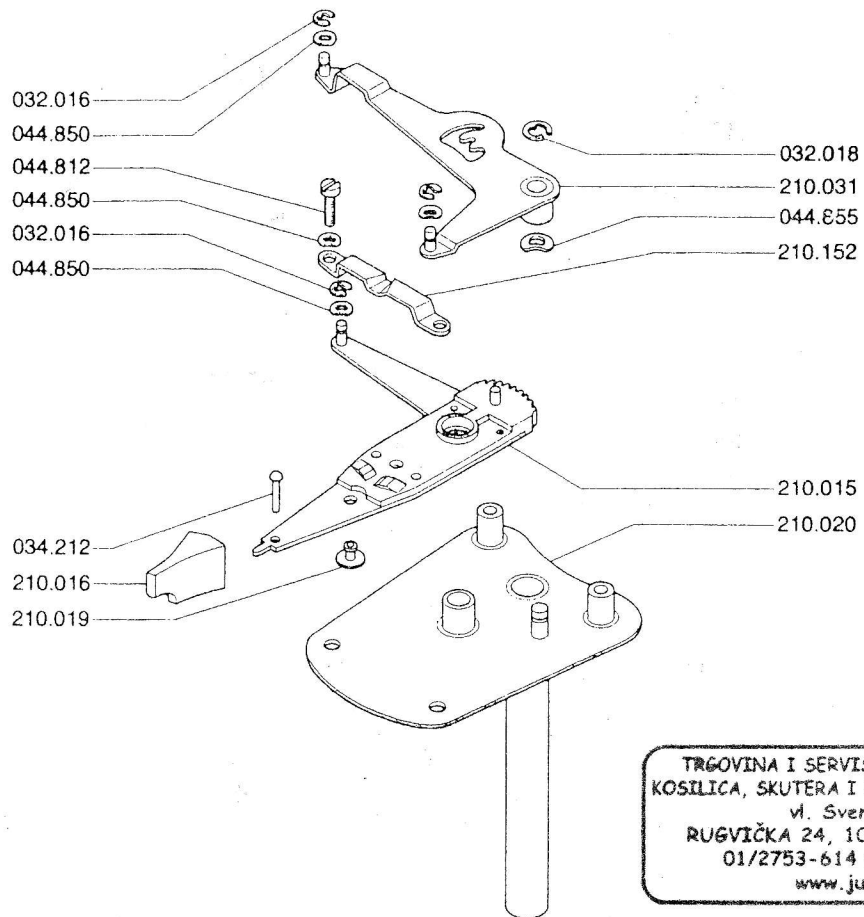
T 9.9 T 18 T 20



NOSILEC MOTORJA, PRETIČNI VZVOD, VZVOD ZA PLIN
 ENGINE BRACKET, GEARSHIFT LEVER, THROTTLE LEVER
 BRIDE DE MOTEUR, LEVIER DE COMMANDE, LEVIER DE GAZ
 FLANGIA DI SUPPORTO DEL MOTORE, LEVA CAMBIO, LEVA COMANDO GAS

K

T 9.9 T 18 T 20

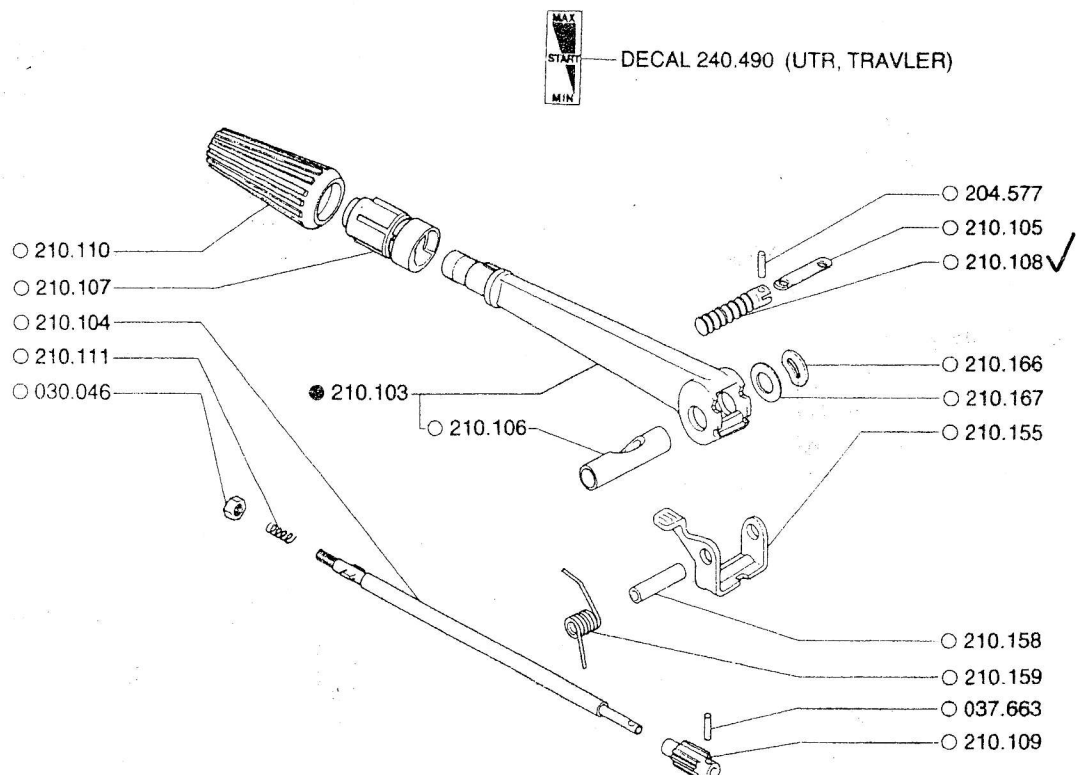


TRGOVINA I SERVIS MOTORNIH PILA,
 KOSILICA, SKUTERA I REZERVNIH DIJELOVA
 vl. Sven Jurec
 RUGVIČKA 24, 10370 DUGO SELO
 01/2753-614 098/283-192
 www.jurec.hr

KRMILNA ROČICA
 STEERING HANDLE
 LEVIER DE GUIDE ● 210.100
 BARRA GUIDA

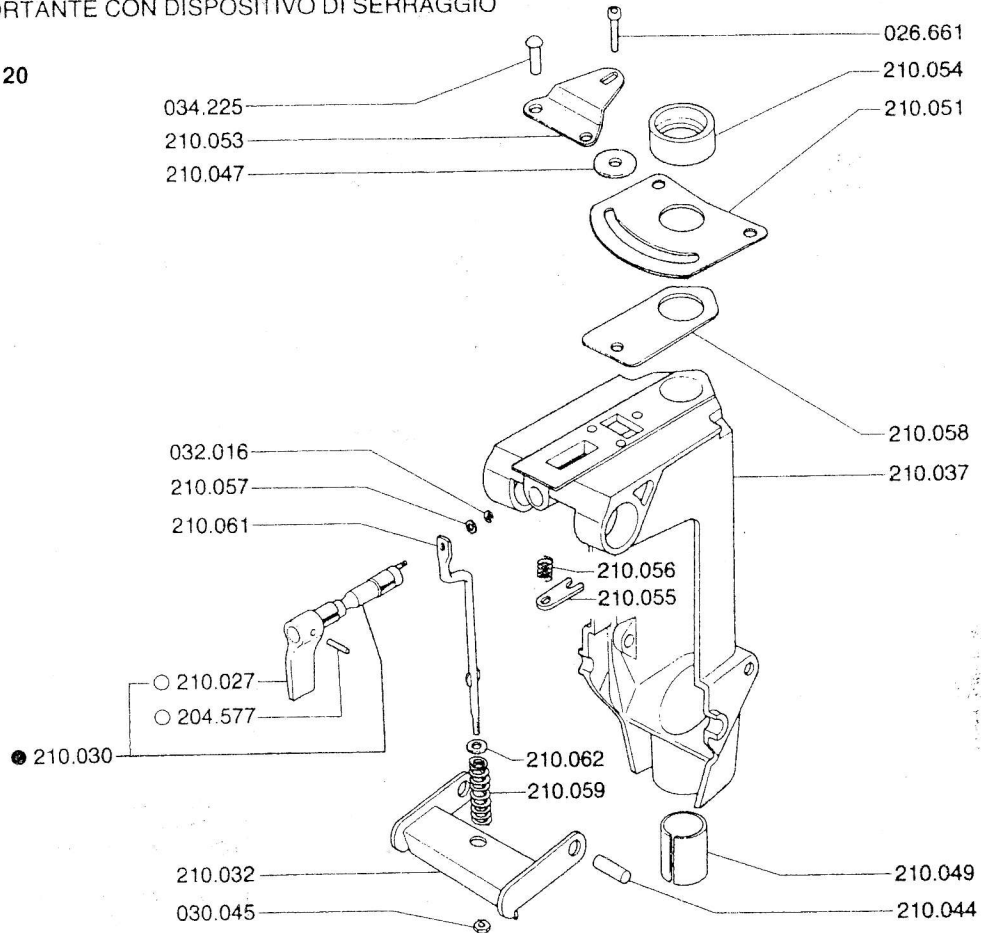
L

T 9.9 T 18 T 20



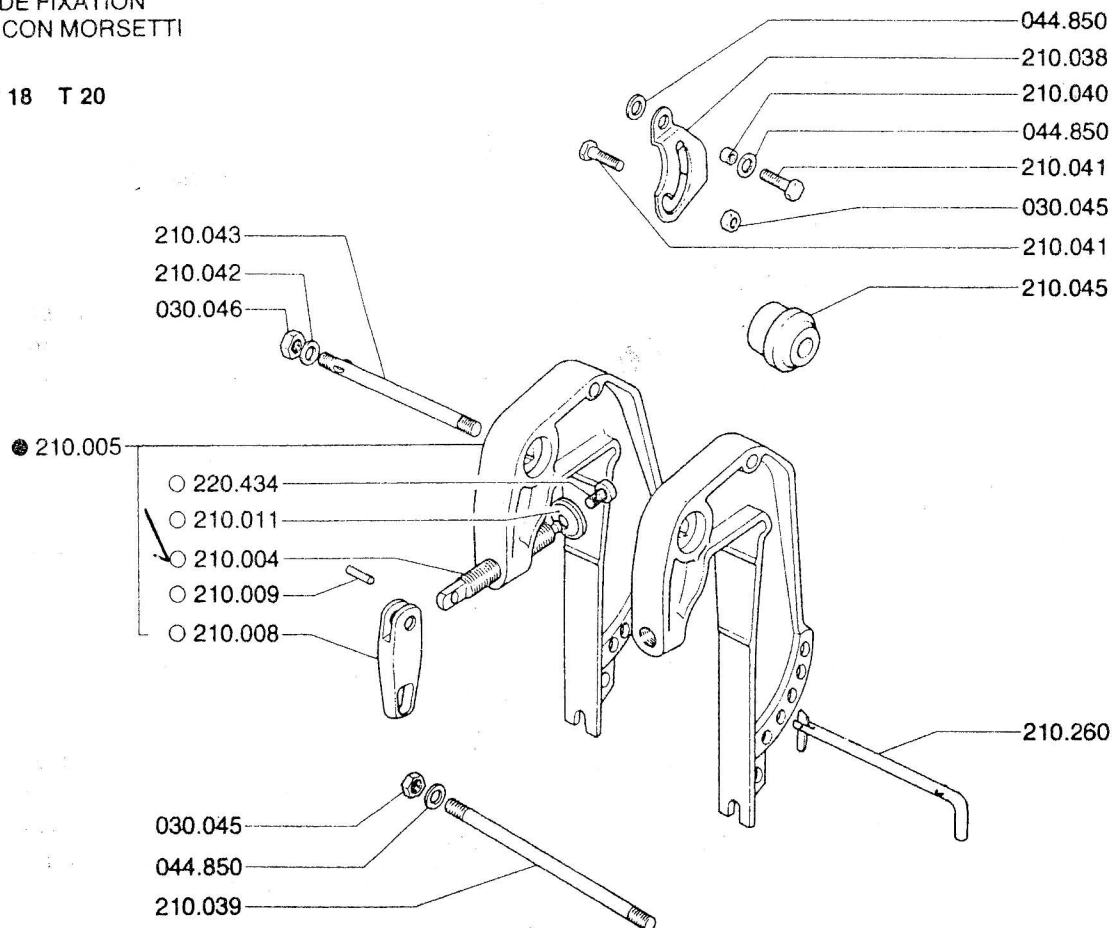
VODILNA PUŠA Z ZAPORO
 TILT BRACKET WITH LOCKING RELEASE
 ETRIER D'APPUI AVEC DISPOSITIF D'ARRET
 SOSTEGNO PORTANTE CON DISPOSITIVO DI SERRAGGIO

T 9.9 T 18 T 20



STEZNA PODKEV
 STERN BRACKET
 ETRIER DE FIXATION
 STAFFA CON MORSETTI

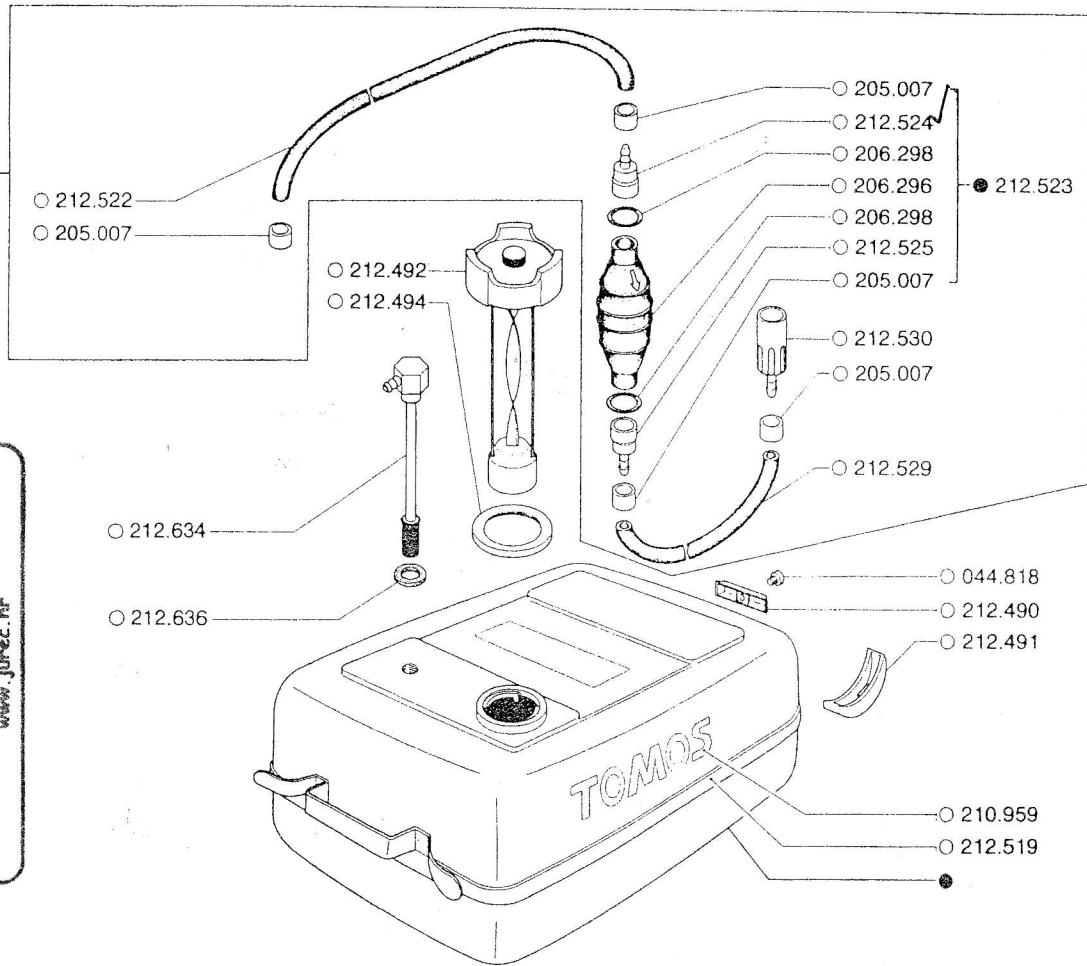
T 9.9 T 18 T 20



REZERVOAR, ROČNA ČRPALKA ZA GORIVO
 FUEL TANK, PRIMER PUMP
 RESERVOIR DE COMBUSTIBLE, POMPE DE COMBUSTIBLE ● 212.500
 SERBATOIO CARBURANTE, POMPA CARBURANTE

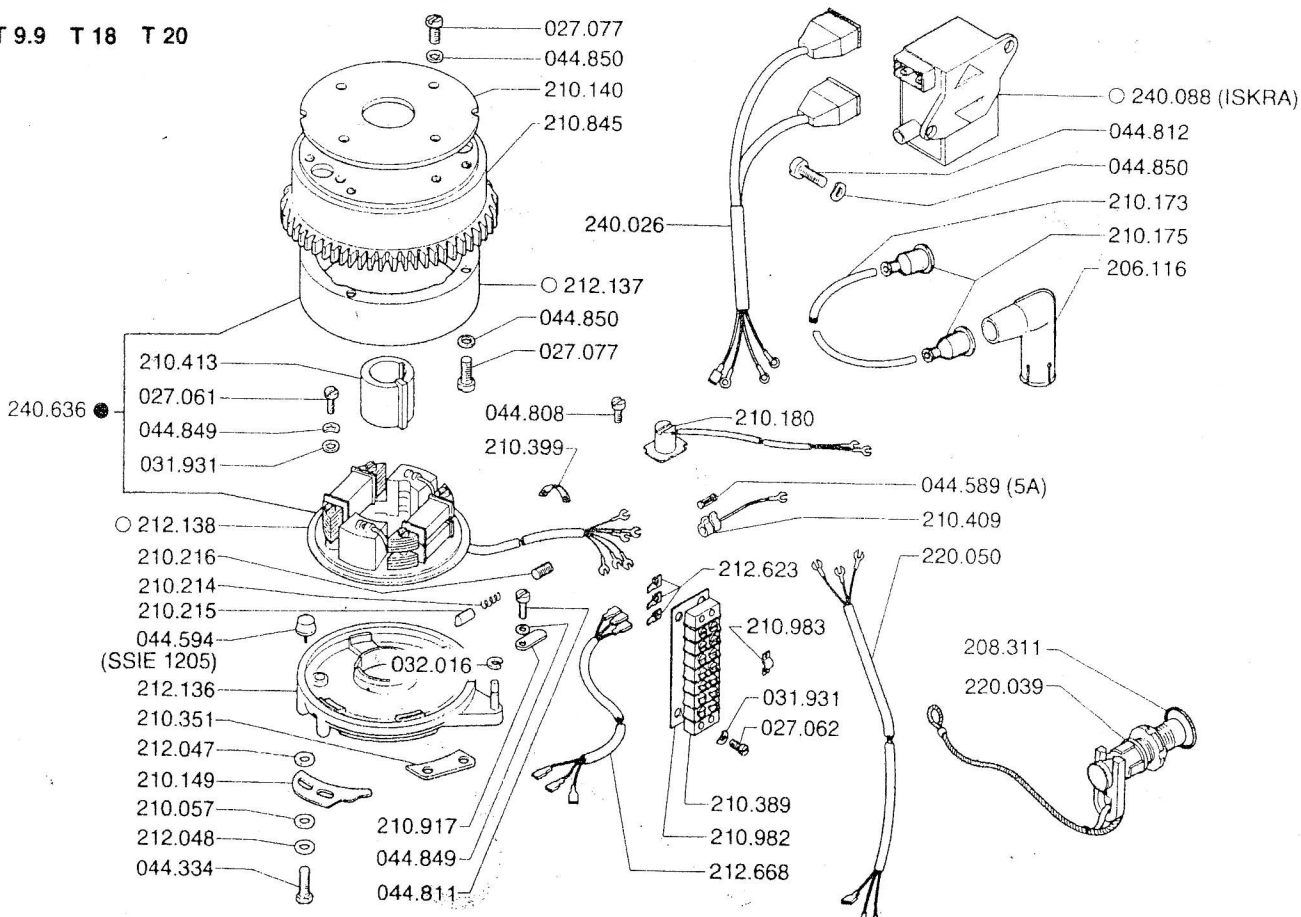
T 9.9
 T 18
 T 20

TRGOVINA I SERVIS MOTORNIH PILA,
 KOSILICA, SKUTERA I REZERVNIH DIJELOVA
 vl. Sven Jurec
 RUGVIČKA 24, 10370 DUJGO SELO
 01/2753-614 098/283-192
 www.jurec.hr



VŽIGALNIK, ELEKTROOPREMA, VZTRAJNIK
 GENERATOR, ELECTRICAL EQUIPMENT, FLYWHEEL
 DYNAMO, EQUIPEMENT ELECTRONIQUE, ROUE VOLANT
 VOLANO MAGNETE

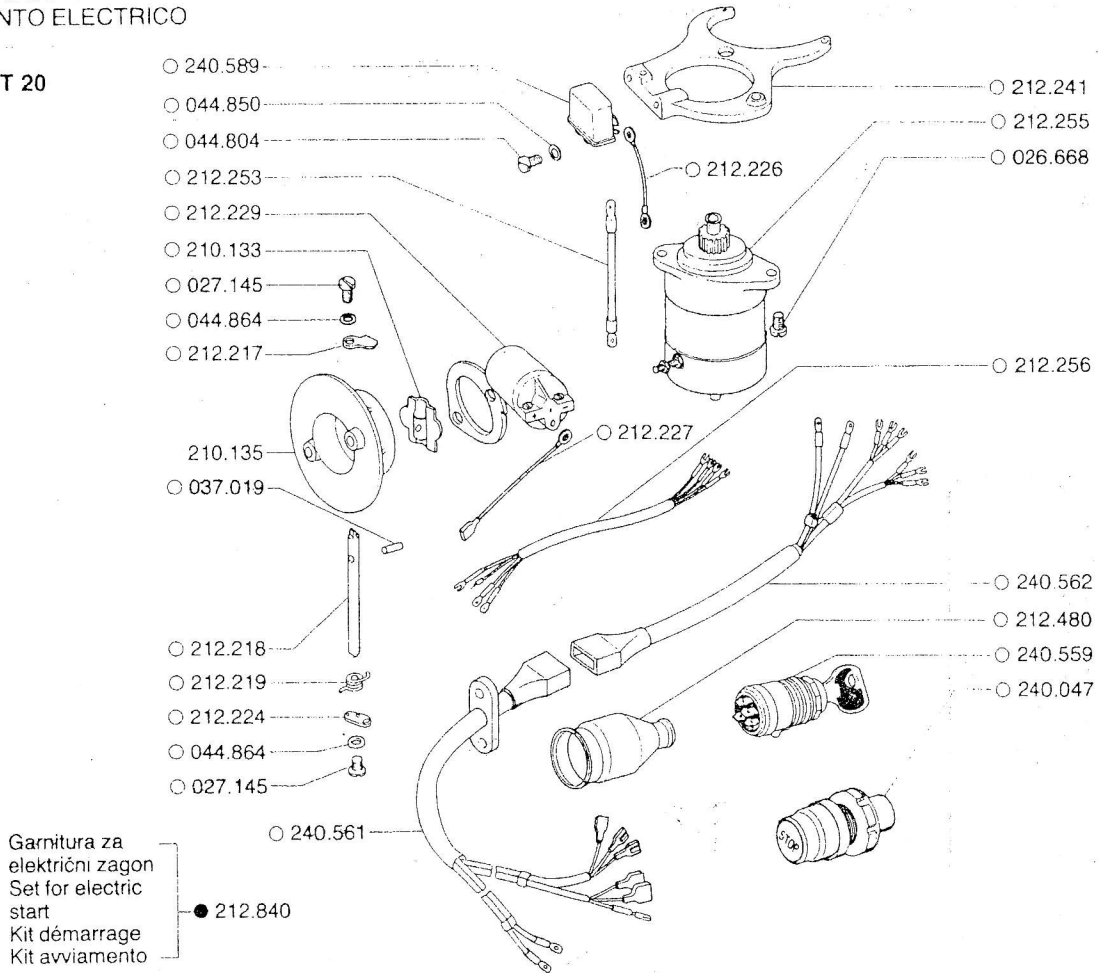
T 9.9 T 18 T 20



ELEKTRIČNI ZAGANJALNIK
 ELECTRICAL STARTER DEVICE
 DISPOSITIF DE LANCEMENT ELECTRONIQUE
 KIT AVVIAMENTO ELETTRICO

R

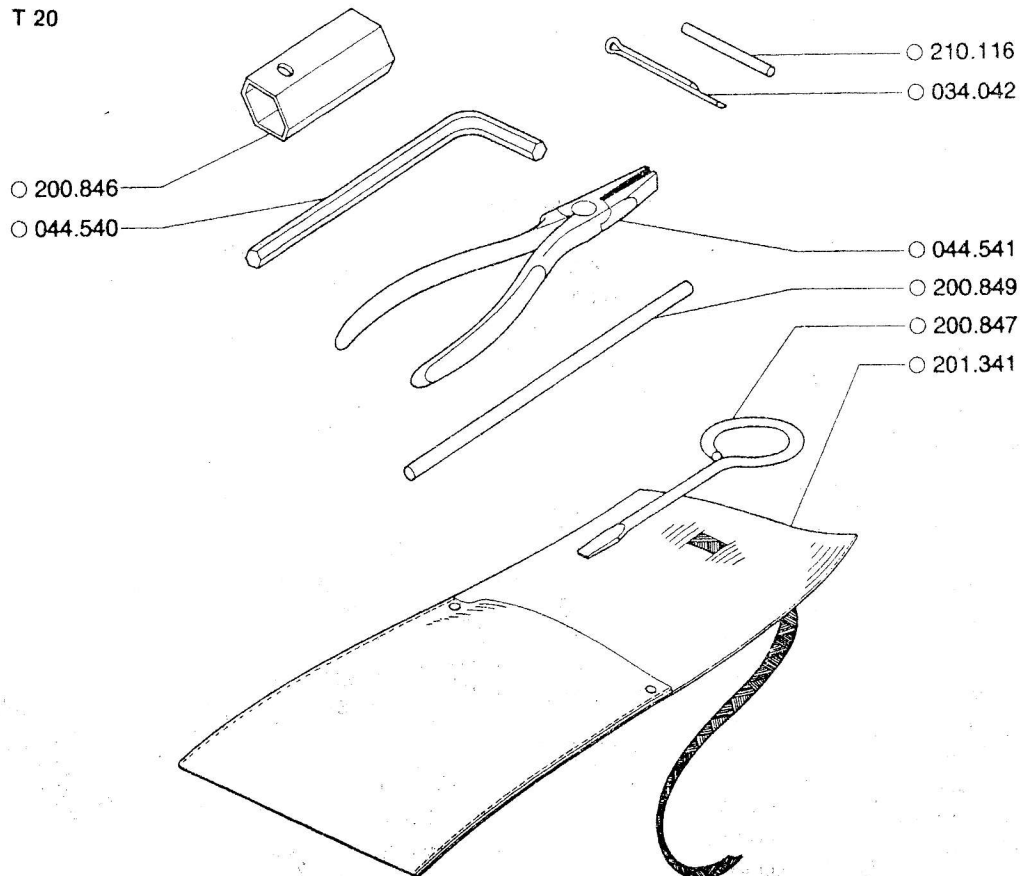
T 9.9 T 18 T 20



ORODJE IN PRIBOR
 TOOLS AND ACCESSORIES
 OUTILLAGE ET ACCESSOIRE
 BORSA ATTREZZI E ACCESSORI

S

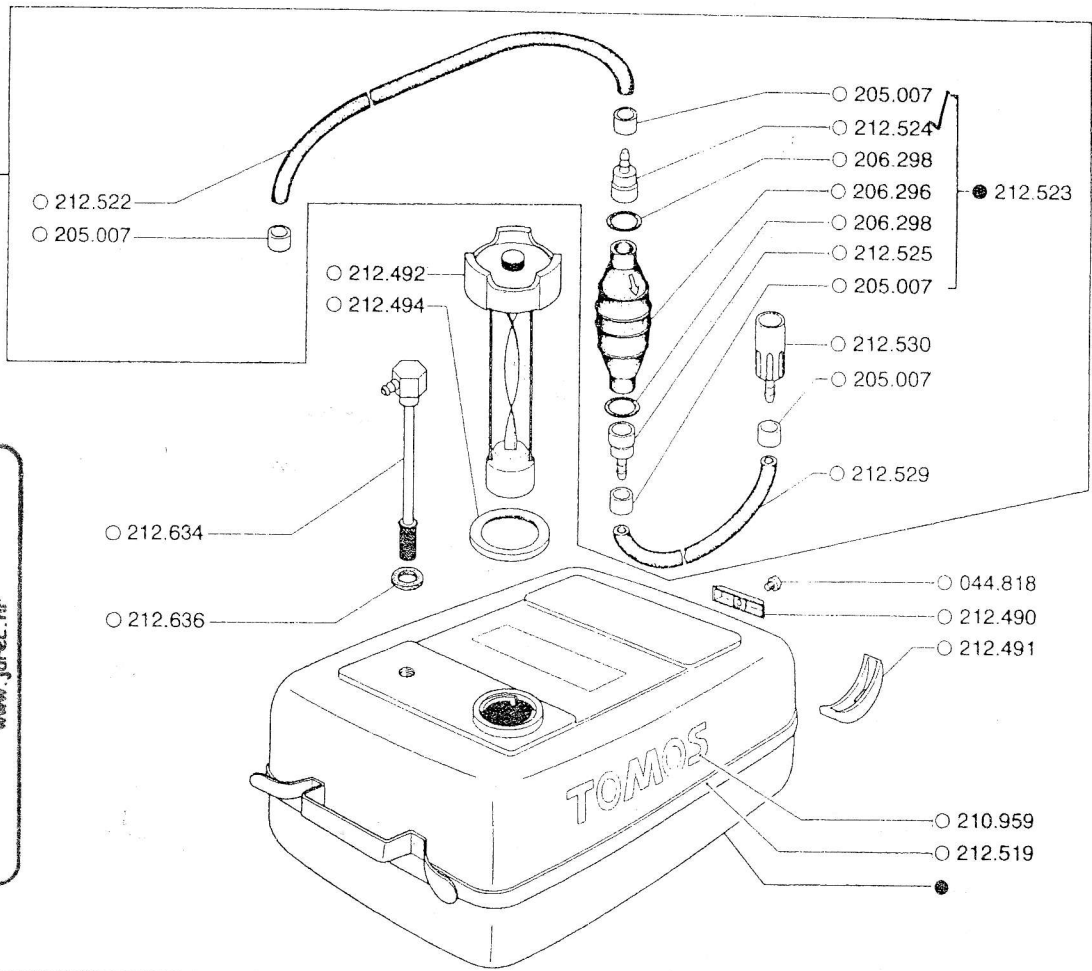
T 9.9 T 18 T 20



REZERVOAR, ROČNA ČRPALKA ZA GORIVO
 FUEL TANK, PRIMER PUMP
 RESERVOIR DE COMBUSTIBLE, POMPE DE COMBUSTIBLE ● 212.500
 SERBATOIO CARBURANTE, POMPA CARBURANTE

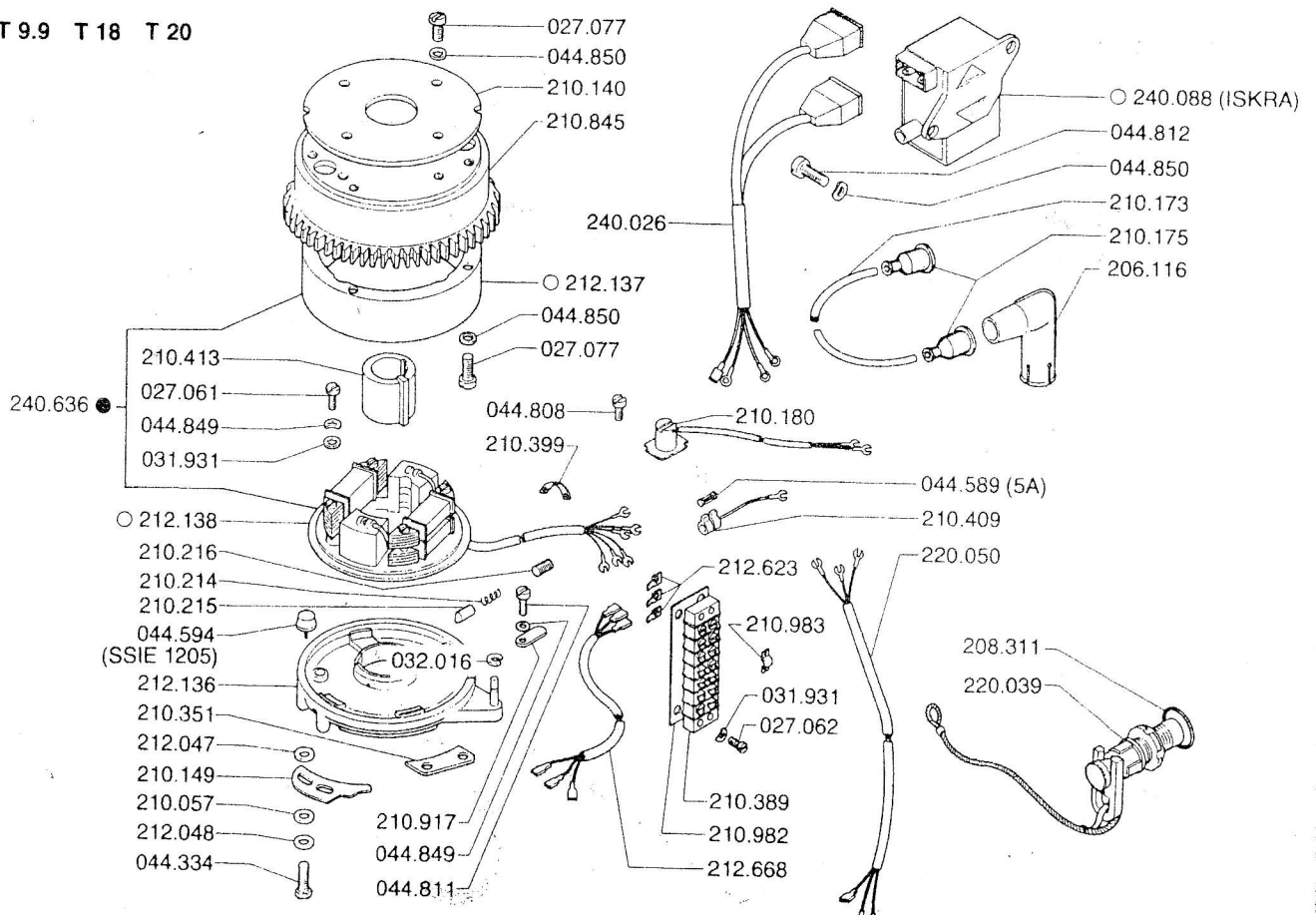
T 9.9
 T 18
 T 20

TRGOVINA I. SERVIS MOTORNIH PILA,
 KOSILICA, SKUTERA I REZERVNIH DIJELOVA
 vl. Sven Jurec
 RUGVIČKA 24, 10370 DUJGO SELO
 01/2753-614 098/283-192
 www.jurec.hr



VŽIGALNIK, ELEKTROOPREMA, VZTRAJNIK
 GENERATOR, ELECTRICAL EQUIPMENT, FLYWHEEL
 DYNAMO, EQUIPEMENT ELECTRONIQUE, ROUE VOLANT
 VOLANO MAGNETE

T 9.9 T 18 T 20



INDEX

Sifra Beställn.-nummer Port number Best. Nr. No de comande Vareosa nro	Skupina Ruta Box Viereck Caraeu Index	Opomba Anm. Remarks Anm. Notes Huom	Sifra Beställn.-nummer Port number Best. Nr. No de comande Vareosa nro	Skupina Ruta Box Viereck Caraeu Index	Opomba Anm. Remarks Anm. Notes Huom
210 087	J	Nut	210 249	F	Pin
210 089	J	Clamp bushing	210 252	E	Clutch
210 090	J	External cable	210 253	E	Spring
210 091	J,K	Spring	210 254	E	Gearshift cam
210 092	J	Adjusting nipple	210 255	F	Union tube-SS
210 093	J	Internal cable	210 256	E	Shim 0,1 mm
210 099	C	Cover set	210 257	E	Shim 0,15 mm
210 100	L	Steering handle cpl.	210 258	E	Shim 0,1 mm
210 103	L	Twist rod	210 259	E	Shim 0,15 mm
210 104	L	Steering handle rod	210 260	N	Tilt adjusting pin
210 105	L	Link	210 262	F	Stud bolt
210 106	L	Guide bush	210 263	D	Gasket
210 107	L	Twist bush	210 266	F	Plate
210 108	L	Regulating rod	210 269	E	Gearshift pin
210 109	L	Twist segment	210 270	E	Gear set cpl.
210 110	L	Rubber grip	210 272	E	Locking pin
210 111	L	Spring	210 273	E	Spring
210 113	C	Steering arm support	210 277	D	Connection housing
210 115	E	Propeller cap	210 280	D	Gearhousing
210 116	E,S	Shear pin	210 283	D	Flange
210 120	E	Propeller 225/250	210 290	A	Exhaust cover
210 122	E	Propeller hub	210 191	A	Gasket
210 123	E	Clamp ring	210 292	A	Gasket
210 124	E	Bush	210 293	A	Thermostat
210 127	C	Carrying handle	210 295	A	Bearing flange
210 129	G	Silencer cap	210 298	A	Rubberrring
210 131	G	Choke lever	210 299	A	Stud bolt
210 132	G	Choke spindle	210 306	A	Engine block-T 18
210 133	G,R	Choke valve	210 308	A	Cover
210 134	G	Spring	210 310	B	Piston 55 mm
210 135	G,R	Choke plate	210 320	B	Crankshaft
210 136	G	Air filter	210 327	C	Rubber bordering
210 137	G	Safety wire	210 328	C	Pin
210 138	G	Plate	210 331	C	Hook
210 139	A	Rubber bush	210 332	C	Button
210 140	P	Flywheel cover	210 333	C	Grip
210 142	H	Intake gasket	210 340	C	Excenter cpl.
210 146	C	Rubber cap	210 350	H	Control rod
210 147	C	Rubber block	210 351	P	Plate
210 148	E	Connecting clamp	210 355	D	Extension
210 149	P	Adjusting plate	210 356	F	Extension tube
210 150	C	Support	210 357	F	Rubberrring
210 151	C	Excenter screw	210 358	F	Extension tube
210 152	K	Guide strip	210 362	F	Water tube-LS
210 153	I	Starter grip	210 364	F	Union tube-LS
210 154	C	Roller	210 365	D	Gasket
210 155	L	Locking lever	210 372	E	Ring
210 156	C	Bushing	210 373	E	Gearshift rod-LS
210 157	C	Cap	210 374	E	Gearshift rod-SS
210 158	L	Distance tube	210 389	P	Connection strip
210 159	L	Spring	210 399	P	Clamp strip
210 161	C	Pin	210 409	P	Fuse holder
210 162	I	Plate	210 413	P	Guide bush
210 164	C	Cap	210 838	F	Pump cover
210 166	L	Spring washer	210 844	A	Ring
210 167	L	Washer	210 845	P	Flywheel
210 168	C	Ring	210 912	S	Toolset
210 169	G	Choke button	210 917	P	Fixing plate
210 172	G	Wire clamp	210 929	A	Engine block-T 10
210 173	P	Ignition cable per meter (0,2 m)	210 959	O	Decal »TOMOS«
			210 969	E	Propeller 225/225
210 180	P	Thermoswitch	210 970	E	Propeller 225/275
210 182	C	Pin	210 982	P	Insulating plate
210 183	G	Fuel line per meter (0,2 m)	210 983	P	Bridge piece
			212 047	P	Washer
210 184	G	Fuel line per meter (0,3 m)	212 048	P	Washer
			212 066	J	Bush
210 186	G	Clip	212 075	F	Rubberrring
210 214	P	Spring	212 133	C	Rubber cap
210 215	P	Stopper	212 135	I	Bearing support
210 216	P	Plug	212 136	P	Plate
210 227	A,F	Seal rubber	212 137	P	Flywheel
210 229	F	Water tube-SS	212 138	P	Stator assy cpl.
210 233	D	Connection housing T18	212 144	H	Banjo
210 234	D	Gasket	212 146	H	Screw
210 235	D	Rubber shroud	212 148	H	Pin
210 236	D	Release tube	212 150	H	Lever
210 237	D	Clamp	212 151	H	Gasket
210 241	D	Wire clamp	212 154	H	Clip
210 242	E	Propeller shaft	212 155	H	Jet holder
210 245	F	Waterpump wheel	212 156	H	Sealing washer
210 246	F	Sealing guide	026 572	A,C,E,I	Allen screw
210 247	F	Seal ring			M6 x 25-inox

INDEX

Sifra Beställn.-nummer Part number Best. Nr. No de comande Vareosa n.ro	Skupina Ruta Box Viareck Careau Index	Opomba Anm. Remarks Anm. Notes Huom	Sifra Beställn.-nummer Part number Best. Nr. No de comande Vareosa n.ro	Skupina Ruta Box Viareck Careau Index	Opomba Anm. Remarks Anm. Notes Huom
026 659	A	Screw M6 x 16-inox	044 855	K	Spring washer 8-Inox
026 660	B,D	Screw M6 x 20-inox	044 864	G,R	Spring washer 3
026 661	A,C,M,	Screw M6 x 30-inox	200 846	S	Plug spanner
026 662	J	Screw M6 x 35-inox	200 847	S	Screw driver
026 663	C	Screw M6 x 40-inox	200 849	S	Pin
026 664	C	Screw M6 x 55-inox	201 341	S	Tool bag
026 665	C,D	Screw M8 x 25-inox	202 065	D	Drain plug
026 666	A	Screw M8 x 30-inox	203 277	D	Gasket
026 667	A	Screw M8 x 40-inox	204 435	I	Clampplate
026 668	R	Screw M8 x 20-inox	204 577	L,M	Pin
027 061	C,G,P	Screw M5 x 16-inox	204 586	G	Gasket
027 062	P	Screw M5 x 20-inox	204 632	G	Fuel pump
027 074	G	Screw m5 x 50	204 880	G	Diaphragm
027 077	P	Screw M6 x 10	204 881	G	Gasket
027 145	G,R	Screw M3 x 6	204 882	G	Seal ring
027 204	G	Screw M4 x 12	204 883	G	Filler
030 044	J	Nut M5 selflocking-inox	204 884	G	Cover
030 045	C,E,M,N	Nut M6 selflocking-inox	204 885	G	Seal washer 4 x 8
030 046	N,L	Nut M8 selflocking-inox	204 887	G	Banjo bolt
030 087	B	Spring washer 28 x 14 x 2 x 1,5	204 888	G	Banjo
031 018	G	Nut M8 x 1-flat	205 007	O	Clamp ring
031 116	B	Nut M14 x 1,5	206 116	P	Spark plug cap
031 870	G	Spring washer 8	206 296	O	Primer pump cpl.
031 931	P	Washer 5	206 298	O	Clamping ring
032 016	J,K,M,P	Circlip 4-Inox	206 925	G	Nipple
032 018	K	Circlip 6	206 926	G	Washer
032 041	B	Circlip 15	206 927	G,O	Rubber cap
032 126	E	Circlip J 15	208 311	P	Gaskets
034 042	E,S	Split pin 3,2 x 32-Inox	210 004	N	Clamping screw
034 206	C	Rivet 3 x 10-ALU	210 005	N	Stem bracket
034 212	C,K	Rivet 4 x 12-ALU	210 008	N	Handle
034 225	M	Rivet 5 x 16-ALU	210 009	N	Pin
035 121	G	Ball 4 mm	210 011	N	Clamping screw pad
035 466	B	Needle bearing 15 x 19 x 17-Blue	210 015	K	Shift lever
035 467	B	Needle bearing 15 x 19 x 17-Red	210 016	K	Button
035 469	B,E	Ball bearing 6205P6	210 020	K	Bracket
035 471	E,F	Needle bearing DHK 1816	210 027	M	Lever
035 473	B	Needle bearing 15 x 19 x 17-Yellow	210 030	M	Locking pin cpl.
035 474	E	Needle bearing RNAF 22 x 35 x 32	210 031	K	Throttle lever
035 476	E,F	Bearing ring 15 x 18 x 16,5	210 032	M	Locking release
035 477	E	Bearing 81 102 TN	210 037	M	Bracket
036 018	F	O-ring 9 x 3	210 038	N	Support
036 026	F	O-ring 12 x 2	210 039	N	Pin
036 227	D	O-ring 59 x 3	210 040	N	Distance bush
036 229	A	O-ring 25 x 3	210 041	N	Screw
036 238	E,F	Seal 15 x 24 x 7-Inox	210 042	N	Spring washer
036 239	B	Seal 22 x 35 x 6	210 043	N	Tilt bracket tube
037 019	G,R	Spring pin 2,5 x 6	210 044	M	Pin
037 055	A,I	Spring pin 5 x 18	210 045	N	Guide bearing
037 281	B	Pin 5 x 20	210 047	M	Ring
037 663	E,L	Slotted pin 3 x 16	210 049	M	Bearing bush
038 007	B	Woodruff key 4 x 5	210 050	E	Shift rod
044 513	A	Spark plug	210 051	M	Plate
044 334	P	Screw M5 x 16-Inox	210 052	E	Shift gear
044 540	S	Allen screw spanner	210 053	M	Clamp plate
044 541	S	Flatnose pliers	210 054	M	Ring
044 584	G,H	Seal washer 8 x 12	210 055	M	Lug
044 589	P	Fuse 5A	210 056	M	Spring
044 594	P	Diode	210 057	M,P	Washer
044 598	A	Spark plug Bosch W5 AC	210 058	M	Plate
044 629	G	Screw M4 x 10	210 059	M	Spring
044 728	G	Seal washer 5 x 9	210 060	I	Starter device cpl.
044 739	B	Piston ring 55 x 50,4 x 1,5	210 061	M	Locking release lever
044 740	B	Gudgeon pin 15 mm	210 062	M	Washer
044 802	D	Screw M5 x 14-Inox	210 065	I	Starter rape spindle
044 804	R	Screw M6 x 20-Inox	210 067	I	Washer
044 805	J	Screw M6 x 25-Inox	210 068	I	Spring
044 808	P	Screw M4 x 6-Inox	210 069	I	Starter rope
044 811	P	Screw M5 x 8-Inox	210 070	I	Spring
044 812	K	Screw M6 x 12-Inox	210 071	I	Insert piece
044 818	O	Screw M5 x 6-Inox	210 072	I	Starter gear
044 827	F,J	Nut M6-Inox	210 075	I	Bearing bush
044 849	P	Spring washer 5-Inox	210 076	I	Pin
044 850	F,K,N,R	Spring washer 6-Inox	210 077	J	Locking pin
			210 078	J	Nipple
			210 079	J	Rod
			210 080	J	Operating controls
			210 081	J	Connecting block
			210 082	J	Guide plate
			210 083	J	Bush
			210 084	J	Bush
			210 085	J	Locking lever
			210 086	J	Adjusting nipple

INDEX

Sifra Beställn.-nummer Port number Best. Nr. No de comande Vareosa n.ro	Skupina Ruta Box Viereck Careau Index	Opomba Anm. Remarks Anm. Notes Huom	Sifra Beställn.-nummer Port number Best. Nr. No de comande Vareosa n.ro	Skupina Ruta Box Viereck Careau Index	Opomba Anm. Remarks Anm. Notes Huom
212 157	H	Jet 115	240 523	D	Decal
212 158	H	Mixer tube	230 526	C	Engine cover
212 159	H	Sealing washer	240 559	R	Ignition switch
212 161	H	Jet holder	240 561	R	Cable harness
212 162	H	Sealing washer	240 562	R	Cable harness
212 163	H	Jet 45	240 589	R	Starting relay
212 164	H	Plug	240 636	P	Dynamo
212 165	H	Sealing washer	240 644	C	Set of gaskets
212 170	H	Jet 85	240 645	C	Set of gaskets
212 171	H	Float + cover cpl.	240 646	C	Set of gaskets
212 205	F	Pump body cpl.			
212 208	D	Anodic ring			
212 217	R	Lever			
212 218	R	Choke axle			
212 219	R	Spring			
212 224	R	Lever			
212 226	R	Cable			
212 227	R	Cable			
212 229	R	Choke relay ~			
212 241	R	Support of starter			
212 253	R	Cable			
212 255	R	Starter engine			
212 256	R	Cable harness			
212 267	D	Clamp strip-Inox			
212 480	R	Rubber cover			
212 490	O	Protective strip			
212 491	O	Protective support			
212 492	O	Filler cap cpl.			
212 494	O	Rubberring			
212 500	O	Fuel tank cpl. 24 liter			
212 519	O	Bordering cover			
212 522	O	Fuel line per meter (0,2 m)			
212 523	O	Primer pump cpl.			
212 524	O	Nipple with valve			
212 525	O	Nipple			
212 529	O	Fuel line per meter (1,0 m)			
212 623	P	Connecting lug			
212 633	O	Fuel line cpl.			
212 634	O	Suction pipe cpl.			
212 636	O	Gaskets			
212 640	H	Carburettor			
212 668	P	Cable			
212 840	R	Electric start set cpl.			
216 157	H	Air setting screw			
216 167	H	Cover			
216 168	H	Float valve			
216 169	H	Spring			
216 173	H	Float			
216 268	D	Gearhousing cpl.			
216 270	D	Transfer kit LS-SS			
216 271	D	Transfer kit SS-LS			
216 339	A	Block with pistons cpl-T 18			
216 343	A	Block with pistons cpl-T 10			
220 039	P	Stop switch			
220 047	R	Stop switch			
220 050	P	Cable			
220 434	N	Plug			
220 746	C	Grommet			
240 026	P	Cable			
240 086	P	Ignition cpl.			
240 088	P	Electronic box (ISKRA)			
240 225	C	Rubber cap			
240 451	E	Propeller 225/225 (UTR-SILVER)			
240 453	E	Propeller 225/250 (UTR-SILVER)			
240 455	E	Propeller 225/275 (UTR-SILVER)			
240 472	E	Propeller 225/225 (TRAVLER-BLACK)			
240 474	E	Propeller 225/250 (TRAVLER-BLACK)			
240 476	E	Propeller 225/275 (TRAVLER-BLACK)			
240 490	L	Decal			
240 515	C	Set of decals			
240 516	C	Set of decals			
240 519	C	Set of decals			
240 520	C	Set of decals			

**TRGOVINA I SERVIS MOTORNIH PILA,
KOSILICA, SKUTERA I REZERVNIH DIJELOVA**
 vl. Sven Jurec
RUGVIČKA 24, 10370 DUGO SELO
 01/2753-614 098/283-192
www.jurec.hr

