

XOR

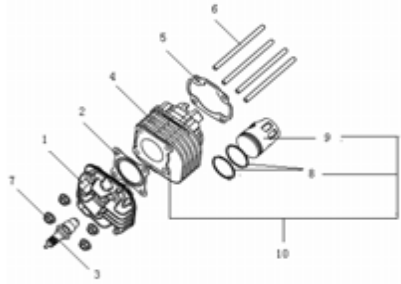


# PARTBOOK

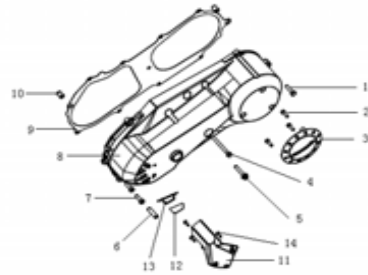
Vers. 2005.1

# INDEX-ENGINE Ver.2005.0

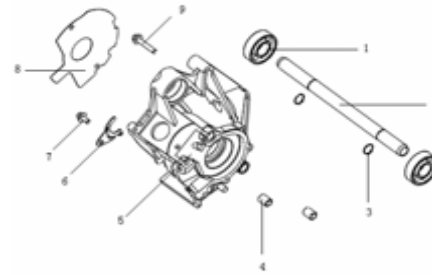
E01 CYLINDER & CYLINDER HEAD ASSY



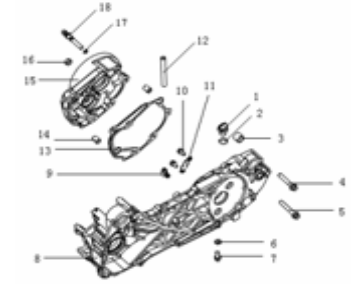
E02 L. CRANKCASE COVER



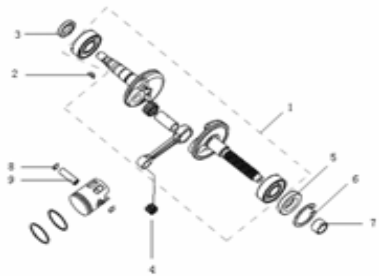
E03 RH. CRANKCASE



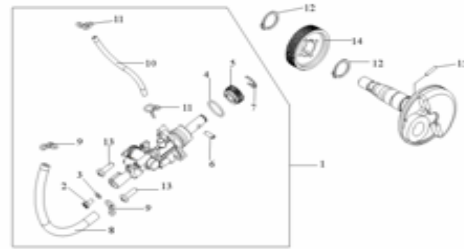
E04 L. CRANKCASE & MISSION CASE COMP



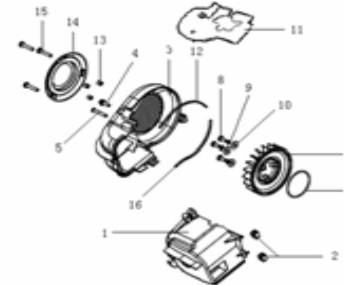
E05 PISTON, CRANKSHAFT



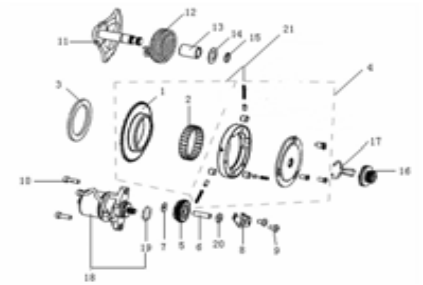
E06 OIL PUMP ASSY



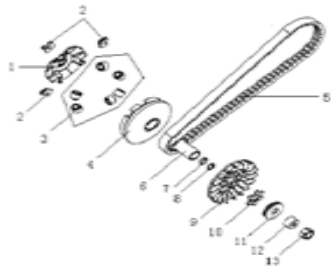
E07 AIR SHROUD, FAN COMP



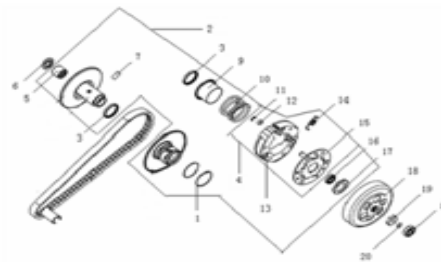
E08 KICK STARTER ASSY



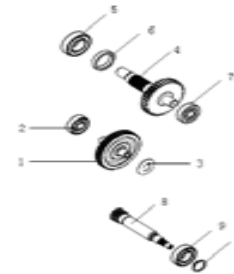
E09 MOVABLE DRIVE FACE ASSY



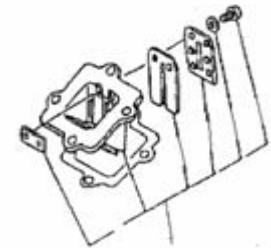
E10 DRIVE PULLEY ASSY



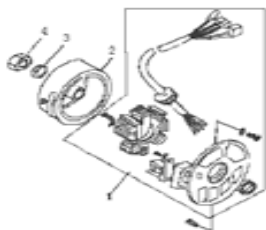
E11 TRANSMISSION



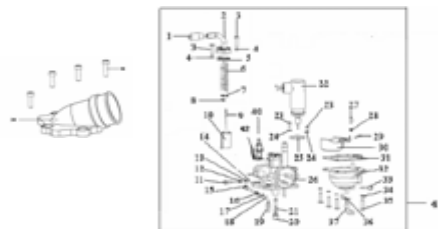
E12 REED VALVE ASSY



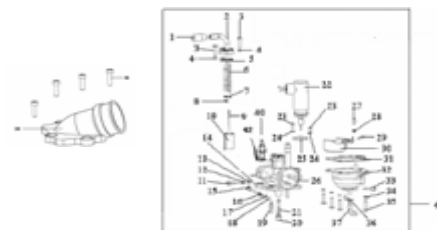
E13 A.C.G. ASSY



E14 CARBURETOR ASSY

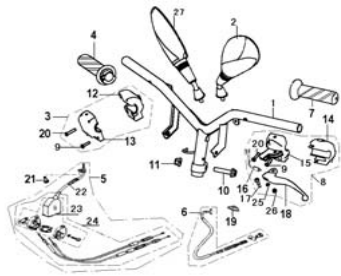


E14-1 CARBURETOR ASSY

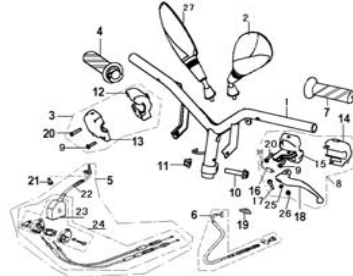


# INDEX-FRAME (1) Ver.2005.0

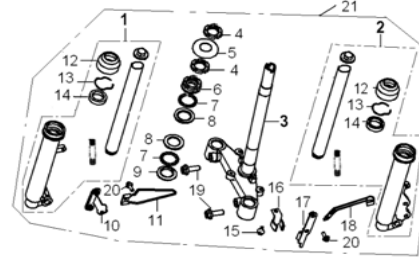
F01 STEERING HANDLE



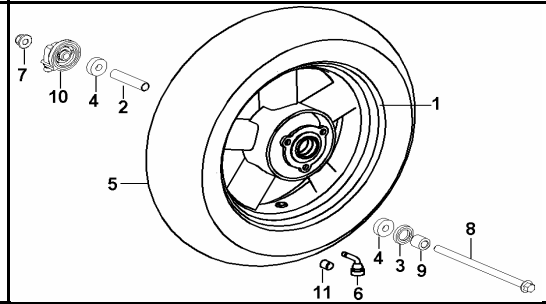
F01-1 STEERING HANDLE



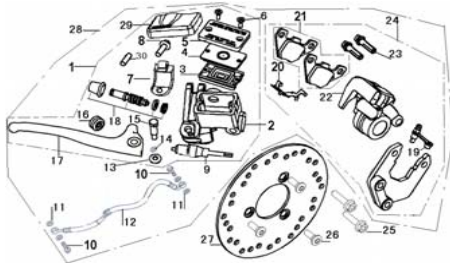
F02 FRONT FORK



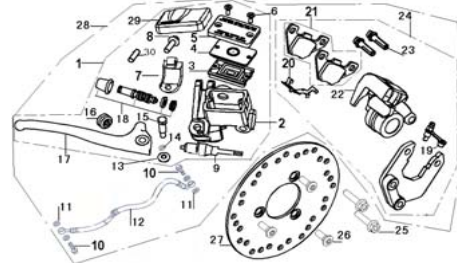
F03 FRONT WHEEL



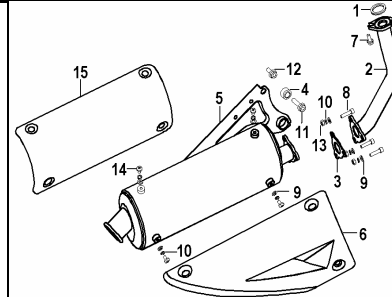
F04 FRONT DISK BRAKE



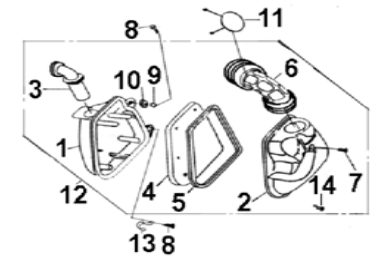
F04-1 FRONT DISK BRAKE



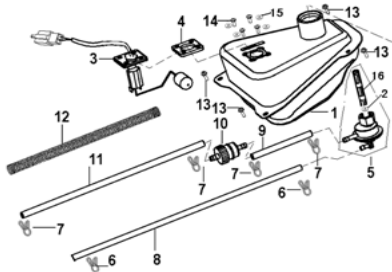
F05 MUFFLER



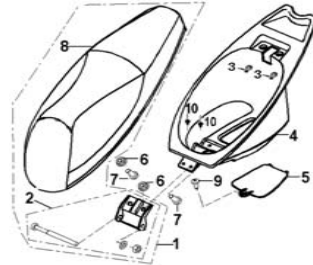
F06 AIR CLEANER



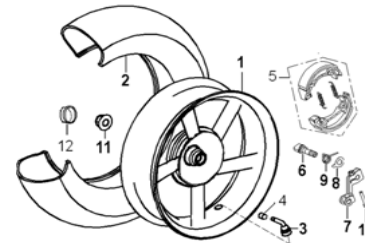
F07 FUEL TANK



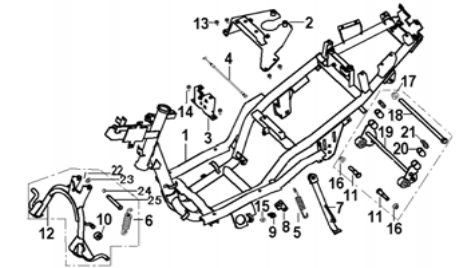
F08 DOUBLE SEAT



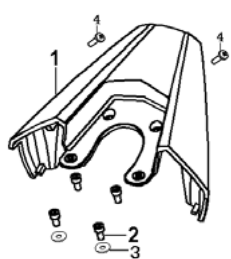
F09 REAR WHEEL



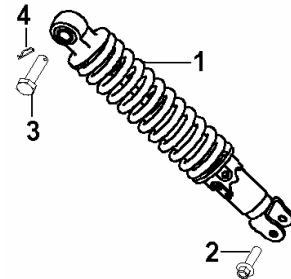
F10 FRAME BODY



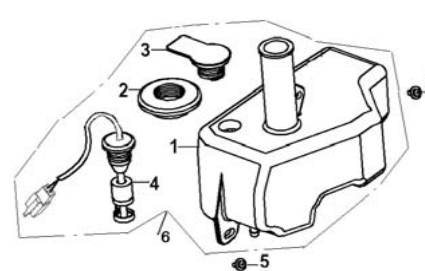
F11 HANDRAIL



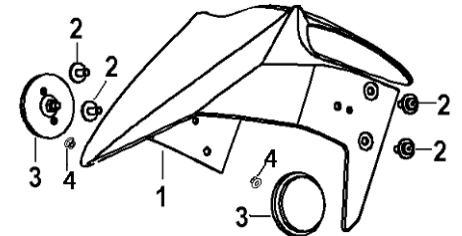
F12 REAR ABSORBER



F13 OIL TANK

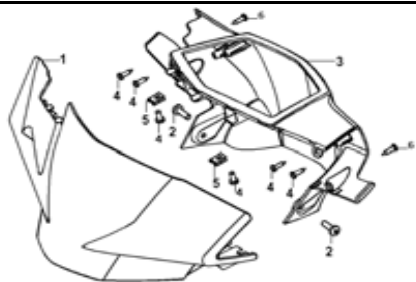


F14 FRONT FENDER

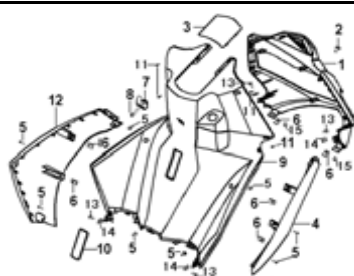


# INDEX-FRAME (2) Ver.2005.0

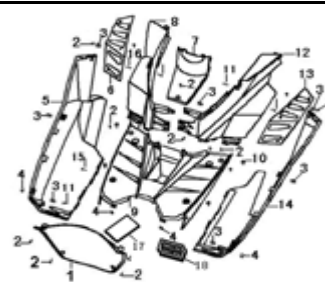
F15 HANDLE COVER



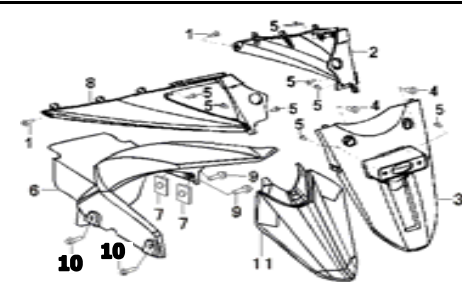
F16 FRONT COVER



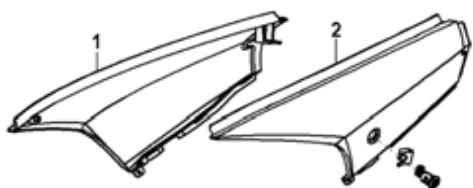
F17 FOOTREST



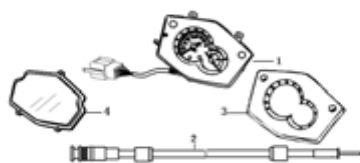
F18 REAR FENDER



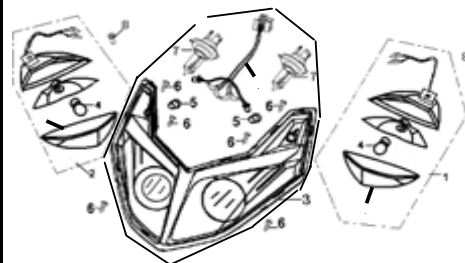
F19 BODY COVER



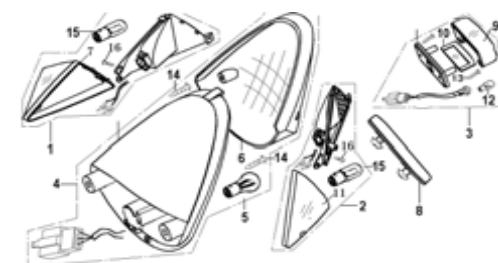
F20 SPEEDOMETER



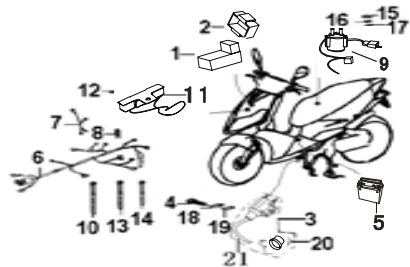
F21 FLASHER LIGHT/HEAD LIGHT



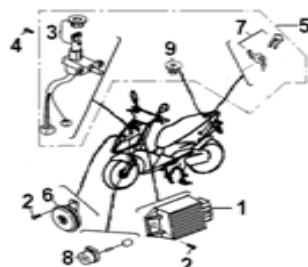
F22 TAIL LIGHT



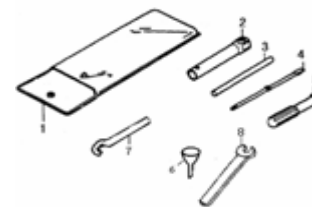
F23 ELECTRICAL EQUIPMENT I



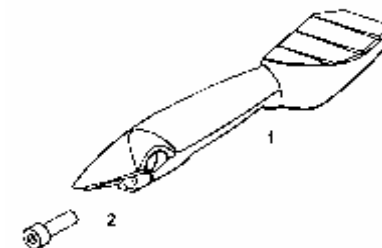
F24 ELECTRICAL EQUIPMENT II



F25 TOOL KIT



F26 KICK STARTER



F27 STICKERS FOR SILVER COLOR

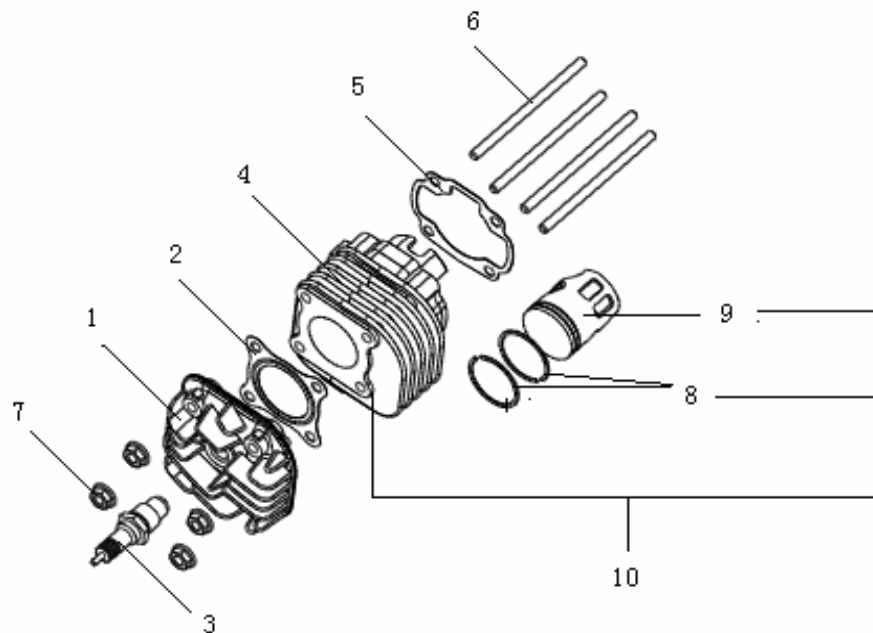


F27-1 STICKER FOR BLUE COLOR

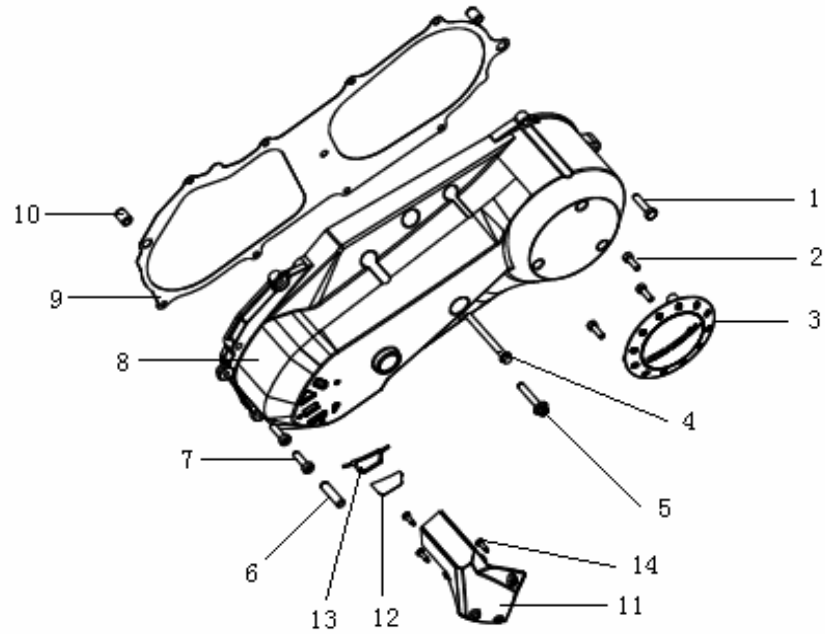


F27-2 STICKER FOR MAT BLACK COLOR

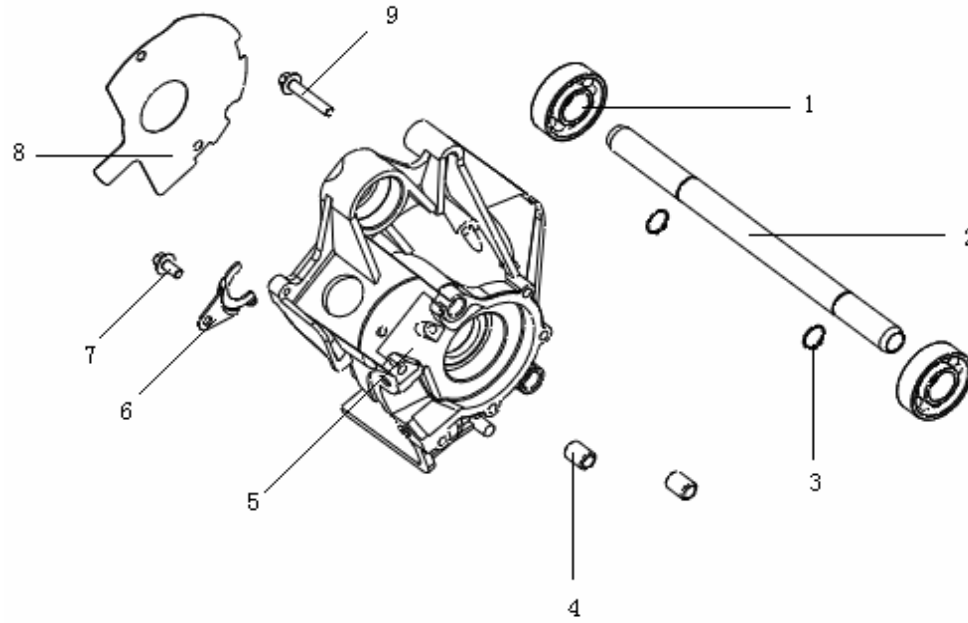




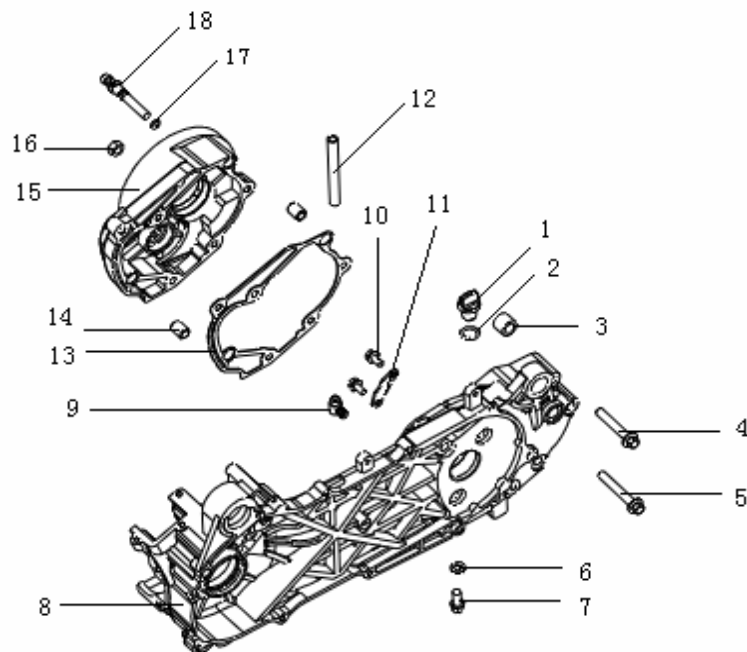
REF. NO.	PART NO.	DESCRIPTION	Q'TY	DESIGN CHANGE	DATE	APPLY	SUBSTITUTION	SRT	REMARK
1	201200.06600	HEAD , CYLINDER	1						
2	30507B01F000	GASKET , CYLINDER HEAD	1						
3	201204.015000	SPARK PLUG	1						
4	204200.041000	CYLINDER	1						
5	27102B01F000	GASKET , CYLINDER	1						
6	26107B01F911	STUD BOLT M7X109	4						
7	26127G02F910	NUT M7	4						
8	15103B09F000	PISTON RING	2						
9	15100B09F00C	PISTON COMP.	1						
10	204102.001000	CYLINDER & PISTON ASS'Y	1						



REF. NO.	PART NO.	DESCRIPTION	Q'TY	DESIGN CHANGE	DATE	APPLY	SUBSTITUTION	SRT	REMARK
1	B01070602564	PAN HEAD BOLT M6X25	8						
2	301270501262	BOLT M5X12	3						
3	207202.009000	PLATE, L CRANKCASE COVER	1						
4	B01070603564	PAN HEAD BOLT M6X35	2						
5	B01070606564	PAN HEAD BOLT M6X65	1						
6	B02060601264	PAN HEAD SCREW M6X12	2						
7	26128G02F000	IDLE GEAR	1						
8	207202.062000	L CRANKCASE COVER	1						
9	14109B09F000	GASKET,L CRANKCASE	1						
10	26208G02F000	DOWEL PIN $\phi$ 10X14	2						
11	207219.844000	INTAKE COVER	1						
12	207221.844000	NET FRAME	1						
13	207222.844000	NET	1						
14	3051235013F5	SELF-TAPPED SCREW ST3.5X13	3						

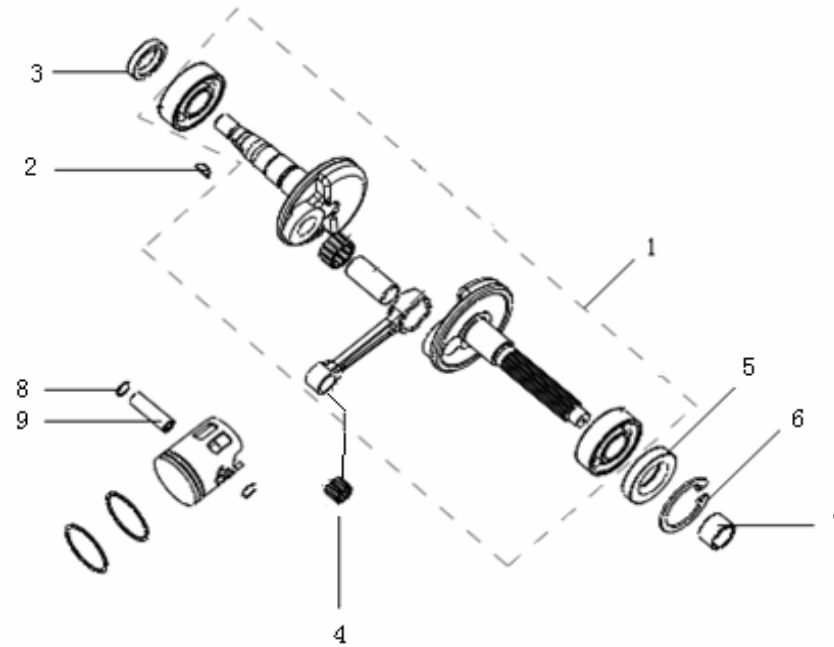


REF. NO.	PART NO.	DESCRIPTION	Q'TY	DESIGN CHANGE	DATE	APPLY	SUBSTITUTION	SRT	REMARK
1	B12016600300	BEARING 6003	2						
2	26109B09F000	AXLE,ENGINEER MOUNT	1						
3	B08010001700	CIRCLIP 17	2						
4	26123G02F000	DOWEL PIN φ12X16	2						
5	26211B09F001	CRANKCASE,RH	1						
6	26214G02F910	OIL SEAL HOLDER	1						
7	B01070601263	PAN HEAD SCREW M6X12	1						
8	26216G02F000	GASKET	1						
9	B01070603564	PAN HEAD SCREW M6X35	6						

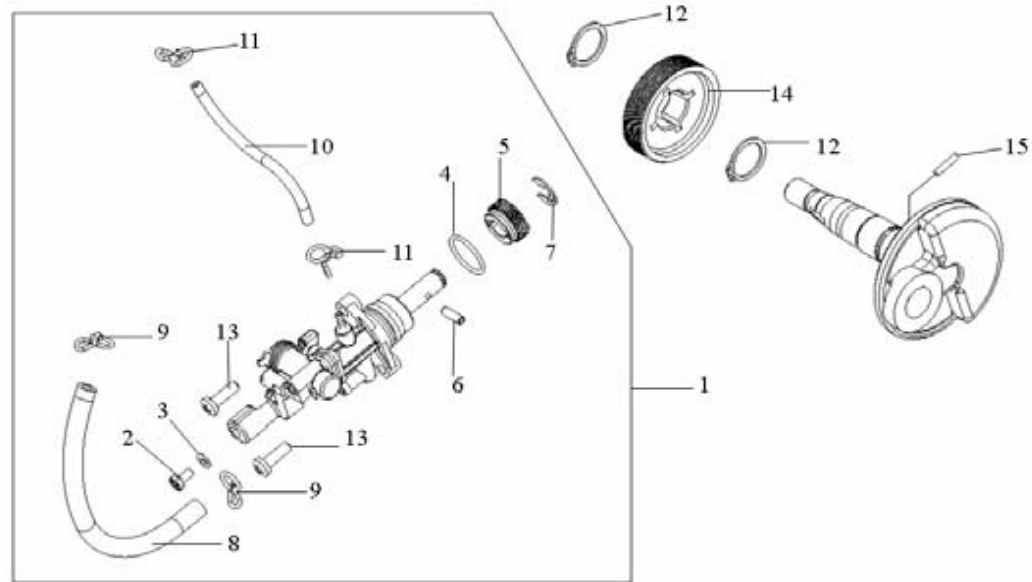


REF. NO.	PART NO.	DESCRIPTION	Q'TY	DESIGN CHANGE	DATE	APPLY	SUBSTITUTION	SRT	REMARK
1	26202G02F000	OIL PLUG	1						
2	26102G02F000	O-RING	1						
3	26108G02F000	GROMMET	1						
4	B01070805563	BOLT M8X55	2						
5	B01070805063	BOLT M8X50	5						
6	18105H03F000	PLATE WASHER φ8	1						
7	26121G02F000	FLANGE BOLT M8X16	1						
8	26111B09F001	CRANKCASE,LH	1						
9	26126G02F000	BREATHER PLUG	1						
10	B02000601262	PAN HEAD SCREW M6X12	2						
11	26214B09F000	BEARING HOLDER	1						
12	26105G02F000	HOSE	1						
13	18100B09F000	GEAR CASE GASKET	1						
14	26123G02F000	DOWEL PIN φ12X16	2						
15	18101B09F000	GEAR CASE	1						
16	B04070812553	NUT M8	1						
17	26143G02F000	O-RING	1						
18	26142G02F000	BRAKE SHOE ANCHOR PIN ASSY	1						

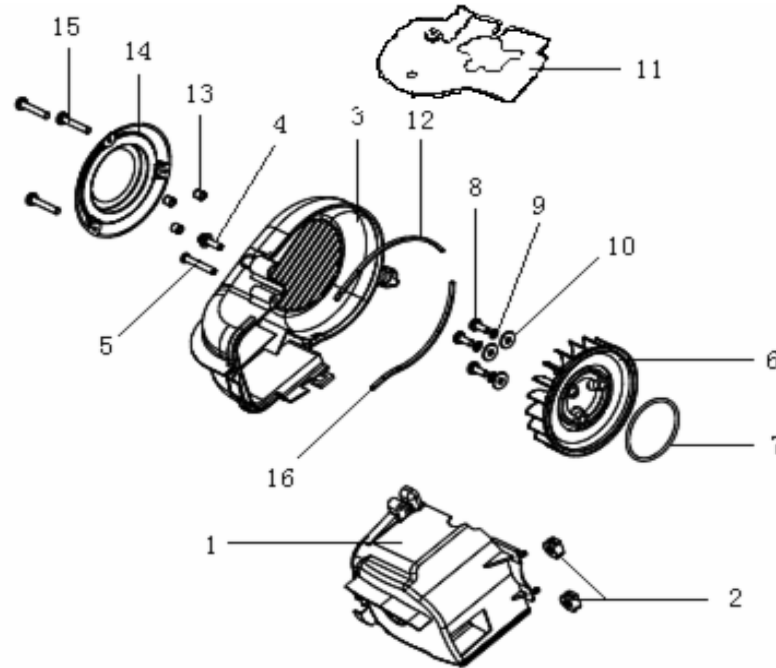




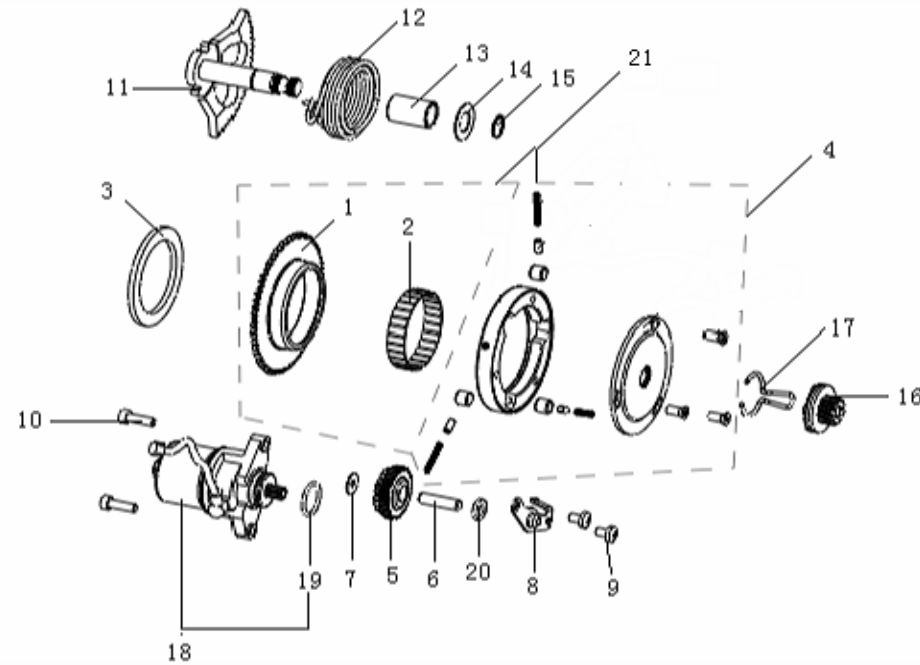
REF. NO.	PART NO.	DESCRIPTION	Q'TY	DESGIN CHANGE	DATE	APPLY	SUBSTITUTION	SRT	REMARK
1	15200B01F000	CRANKSHAFT , ASS'Y	1						
2	15101B01F000	WOODRUFF KEY 3X5X13	1						
3	26215G02F000	OIL SEAL 20X30X6	1						
4	15114B01F000	NEEDLE BEARING	1						
5	15213G02F000	OIL SEAL 20X42X8	1						
6	17308G02F000	CIRCLIP	1						
7	15214G02F000	BUSHING	1						
8	15111G02F000	CIRCLIP	2						
9	15105B01F000	PISTON PIN	1						



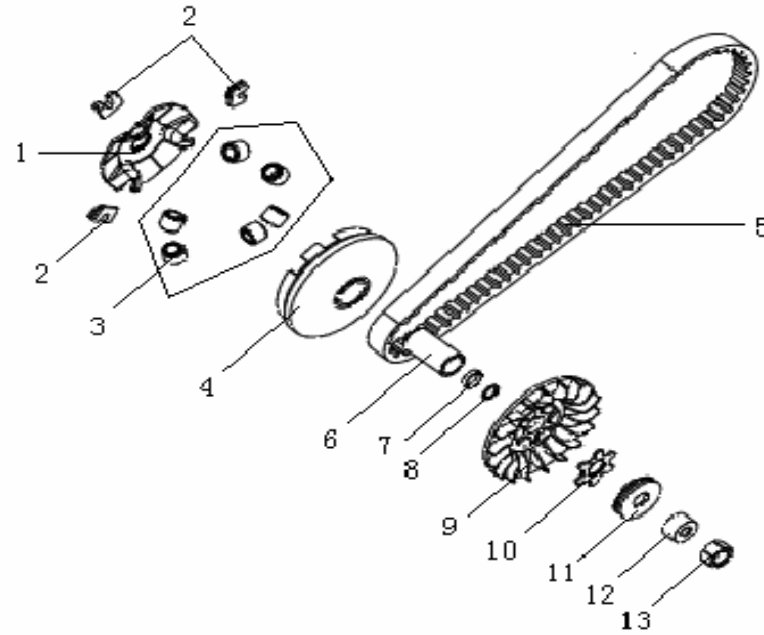
REF. NO.	PART NO.	DESCRIPTION	Q'TY	DESGIN CHANGE	DATE	APPLY	SUBSTITUTION	SRT	REMARK
1	19000B09F000	OIL PUMP ASSY	1						
2	B02000400863	SCREW M4X8	1						
3	B07060000500	WASHER	1						
4	B190101900A0	O-RING 19X1.8	1						
5	19210G02F000	GEAR	1						
6	B090103012A0	PIN A3X12	1						
7	B08030000800	CIRCLIP	1						
8	19212B09F000	HOSE	1						
9	19213G02F00A	HOSE CLIP	2						
10	19216B09F000	HOSE	1						
11	19217G02F00A	HOSE CLIP	2						
12	15106G02F910	CIRCLIP	2						
13	B02000501463	SCREW M5X14	2						
14	15211G02F000	PUMP DRIVE GEAR	1						
15	B090103014C0	PIN C3X14	1						



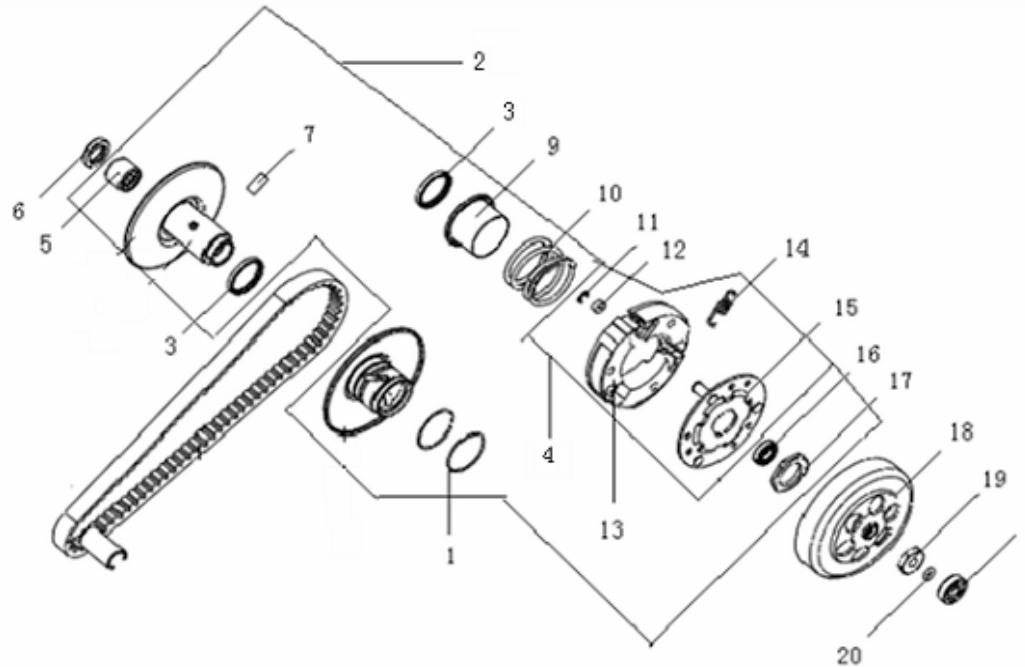
REF. NO.	PART NO.	DESCRIPTION	Q'TY	DESIGN CHANGE	DATE	APPLY	SUBSTITUTION	SRT	REMARK
1	20301B01F000	AIR SHROUD, CYLINDER	1						
2	20303G02F000	GROMMET	2						
3	20201B01F000	AIR SHROUD, FAN	1						
4	B01070602064	BOLT M6×20	2						
5	B05035504000	SCREW ST5.5×40-F	1						
6	20401B01F000	FAN ASS'Y	1						
7	20402G02F000	RUBBER RING φ70X3.1	1						
8	B02000601663	SCREW M6×16	3						
9	B07000000600	WASHER 6	3						
10	B07030000600	WASHER 6	3						
11	20102G02F000	PLATE	1						
12	20206G02F000	SEAL, COOLING	1						
13	20208B09F000	COLLAR	3						
14	222304.002000	COVER, AIR SHROUD	1						
15	B02000403523	SCREW M4X35	3						
16	20208G02F000	DAMPER, AIR SHROUD	1						



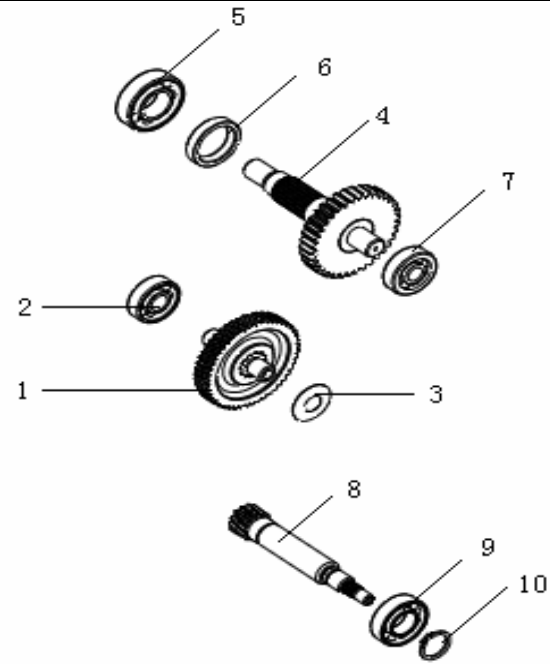
REF. NO.	PART NO.	DESCRIPTION	Q'TY	DESGIN CHANGE	DATE	APPLY	SUBSTITUTION	SRT	REMARK
1	34120G02F000	START GEAR ASS'Y	1						
2	34121G02F000	NEEDLE BEARING	1						
3	34123G02F000	THRUST WASHER	1						
4	34400G02F000	START CLUTCH ASS'Y	1						
5	34126G02F000	IDLE GEAR	1						
6	26128G02F000	IDLE GEAR SHAFT	1						
7	34122G02F000	PLATE WASHER φ8	1						
8	34125G02F000	IDLE GEAR HOLDER	1						
9	B02000601063	SCREW M6×10	2						
10	B02050602064	SCREW M6×20	2						
11	17400G02F000	SHAFT, KICK STARTER	1						
12	17407G02F000	SPRING	1						
13	17413G02F000	BUSHING	1						
14	17422G02F000	WASHER ,KICK STARTER	1						
15	B08010001500	CIRCLIP φ15	1						
16	17415G02F000	KICK PINION ASS'Y	1						
17	17418G02F930	CLIP	1						
18	34200G02F000	STARTING MOTOR ASS'Y	1						
19	B190102120B0	O-RING φ21.2X2.65	1						
20	34130G02F000	PLATE WASHER φ8	1						
21	217106.001000	START CLUTCH GEAR ASS'Y	1						



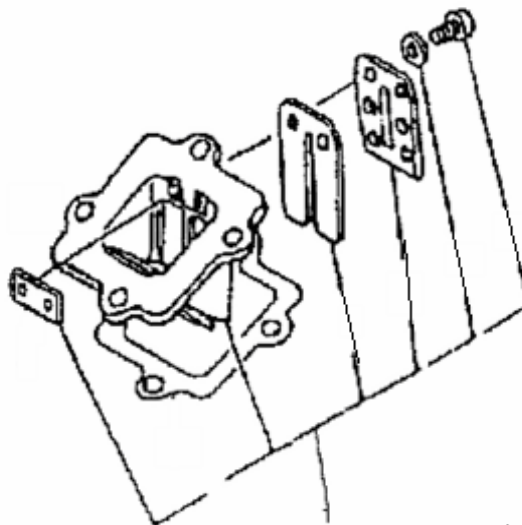
REF. NO.	PART NO.	DESCRIPTION	Q'TY	DESIGN CHANGE	DATE	APPLY	SUBSTITUTION	SRT	REMARK
1	24103G02F000	RAMP PLATE	1						
2	24104G02F000	SLIDE PIECE SET	1 SET						
3	24102B09F000	WEIGHT ROLLER SET	1 SET						
4	24101B09F000	FACE, MOVABLE DRIVE	1						
5	24107G02F000	V-BELT , DRIVE	1						
6	24105G02F000	COLLER, DRIVE FACE	1						
7	24106B09F000	WASHER	1						
8	24106B01F000	WASHER	1						
9	24108B09F000	SHEAVE, PRIMARY FIXED	1						
10	24109G02F000	PLATE,WOODRUFFKEY	1						
11	24110G02F000	KICK STARTER RACHET	1						
12	15112G02F010	WASHER,SPRING	1						
13	B04031212553	NUT M12X1.25	1						



REF. NO.	PART NO.	DESCRIPTION	Q'TY	DESIGN CHANGE	DATE	APPLY	SUBSTITUTION	SRT	REMARK
1	24207G02F000	O-RING $\phi 38.7 \times 1.7$	2						
2	24301G02F000	DRIVEN PULLEY ASS'Y	1						
3	24206G02F000	OLL SEAL $\phi 33 \times \phi 39 \times 4$	4						
4	24200B01F000	CLUTCH WEIGHT ASS'Y	1						
5	24247G02F000	NEEDLE BEARING	1						
6	24203B09F000	OIL SEAL $\phi 17 \times \phi 35 \times 7$	1						
7	24208G02F000	PIN , GUIDE	2						
8	24209G02F000	BEARING 638Z	1						
9	24309G02F930	SEAT , SECONDARY SPRING	1						
10	24308G02F000	SPRING, COMPRESSION	1						
11	24222G02F000	CLIP	3						
12	24225G02F000	WASHER	3						
13	24223G02F000	CLUTCH WEIGHT	3						
14	24302G02F000	SPRING, CLUTCH WEIGHT	3						
15	24226G02F000	DRIVE PLATE	1						
16	24245G02F000	BALL BEARING	1						
17	24303G02F000	NUT M28X1	1						
18	24700G02F000	CLUTCH HOUSING	1						
19	24305G02F940	NUT M10X1	1						
20	24243G02F000	O-RING $\phi 6.7 \times 3$	1						

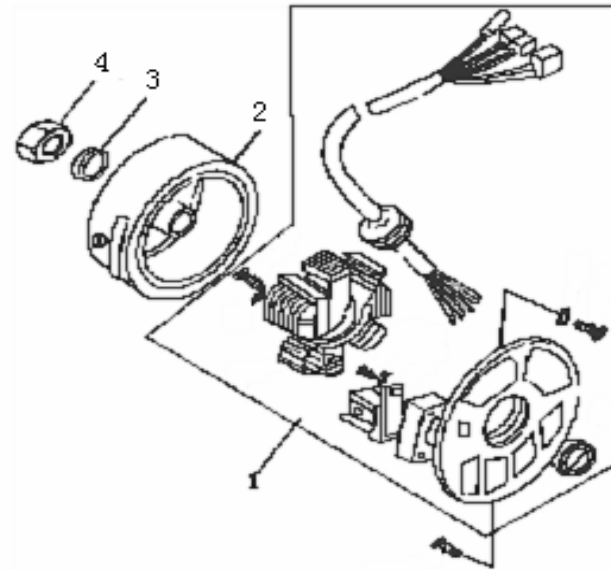


REF. NO.	PART NO.	DESCRIPTION	Q'TY	DESIGN CHANGE		DATE	APPLY	SUBSTITUTION	SRT	REMARK
				INITIAL	END					
1	17800B09F000	COUNTER SHAFT	1							
2	B12016620000	BEARING 6200	1							
3	17732J01F000	WASHER , THRUST 14	1							
4	17300B09F000	FINAL SHAFT	1							
5	B12016600400	BALL BEARING 6004	1							
6	17317B09F000	OIL SEAL 25X44X7	1							
7	B12016620200	BALL BEARING 6202	1							
8	24201B09F000	PRIMARY DRIVE SHAFT	1							
9	B12016620300	BALL BEARING 6203	1							
10	B08010001700	CIRCLIP φ17	1							

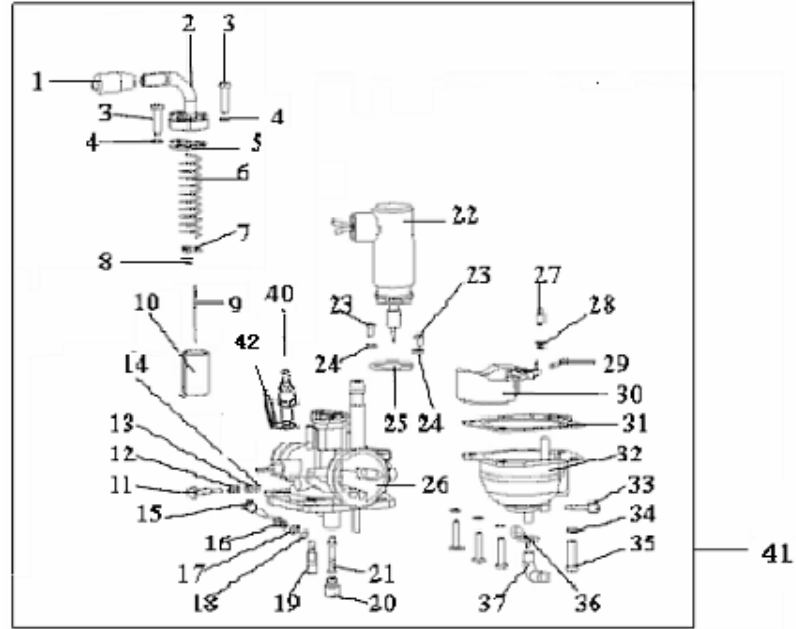
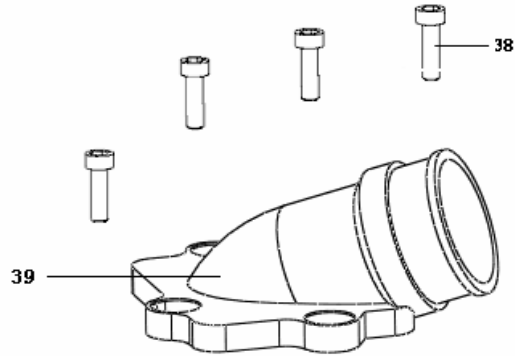


REF. NO.	PART NO.	DESCRIPTION	Q'TY	DESIGN CHANGE	DATE	APPLY	SUBSTITUTION	SRT	REMARK
1	32300B09F000	REED VALVE ASSY	1						

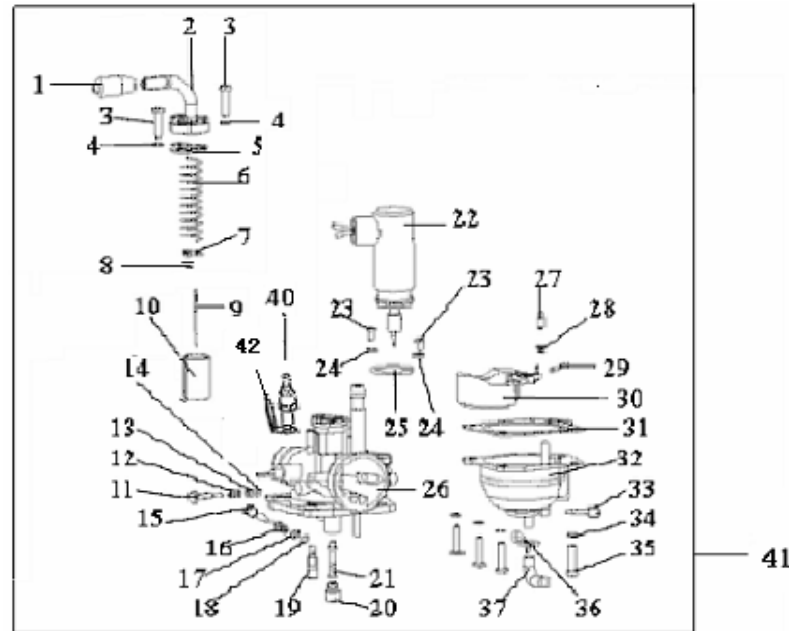
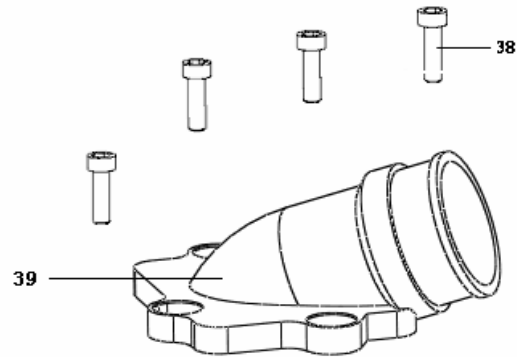




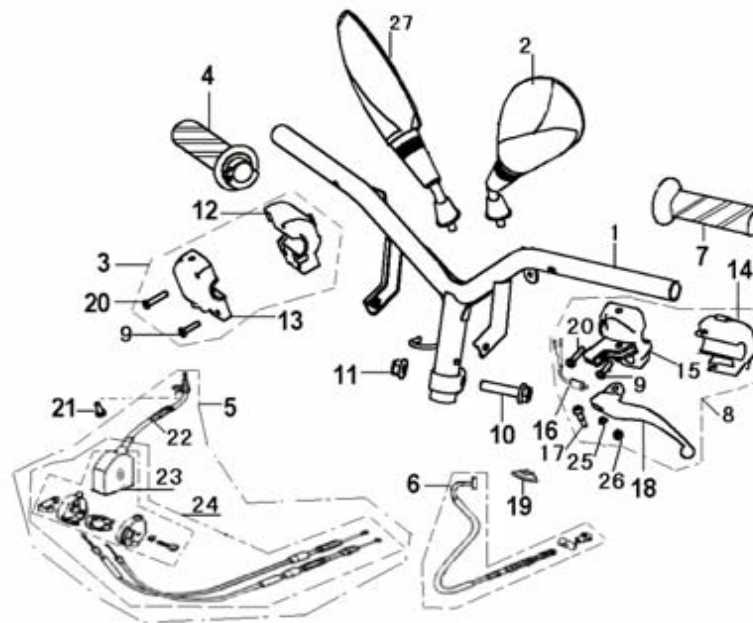
REF. NO.	PART NO.	DESCRIPTION	Q'TY	DESGIN CHANGE	DATE	APPLY	SUBSTITUTION	SRT	REMARK
1	34310G02F000	STATOR ASS'Y	1						
2	34301G02F000	FLYWHEEL COMP.	1						
3	B07030001200	WASHER 12-140HV	1						
4	15228H03F000	FLANGE NUT M12 1.25	1						



REF. NO.	PART NO.	DESCRIPTION	Q'TY	DESIGN CHANGE	DATE	APPLY	SUBSTITUTION	SRT	REMARK
1	32501B01F910	FIX SCREW	1						
2	32502B01F910	BENDING PIPE	1						
3	32503B01F223	SCREW M4×12	2						
4	B07000000400	WASHER φ4	2						
5	32506B01F000	GASKET	1						
6	32507B01F000	SPRING , THROTTLE VALVE	1						
7	32508B01F000	CLIP, V-SHAPE	1						
8	B08030001500	CLIP	1						
9	32510B01F000	NEEDLE, JET	1						
10	32511B01F00B	VALVE,PISTON	1						
11	32601B01F000	SCREW, IDLE SPEED	1						
12	32602B01F000	SPRING, SPEED SCREW	1						
13	32603B01F000	WASHER, SPEED SCREW	1						
14	32604B01F000	O-RING, SPEED SCREW	1						
15	32605B01F000	SCREW, AIR	1						
16	32606B01F000	SPRING,AIR SCREW	1						
17	32607B01F000	WASHER, AIR SCREW	1						
18	32608B01F000	O-RING, AIR SCREW	1						
19	32609B01F000	JET, IDLE	1						
20	32610B01F00B	JET, MAIN	1						
21	32611B01F000	JET, NEEDLE	1						
22	32612B01F000	AUTO BY STARTER	1						

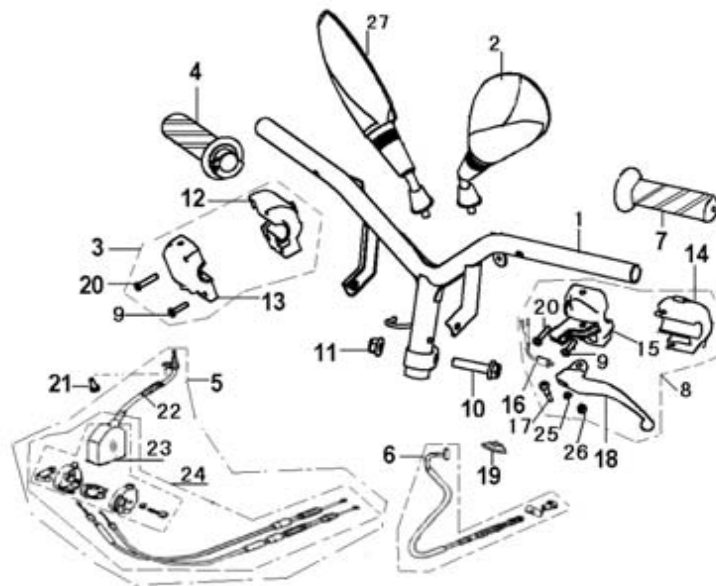


REF. NO.	PART NO.	DESCRIPTION	Q'TY	DESIGN CHANGE	DATE	APPLY	SUBSTITUTION	SRT	REMARK
23	B02040400823	SCREW	2						
24	B07000000400	WASHER φ4	2						
25	32615B01F000	O-RING	1						
26	32616B01F000	BODY, CARBURETOR	1						
27	32617B01F000	VALVE, NEEDLE	1						
28	32618B01F000	HOOK	1						
29	32619B01F000	PIN, FLOAT	1						
30	32620B01F000	FLOAT	1						
31	32701B01F000	GASKET	1						
32	32702B01F000	CHAMBER, FLOAT	1						
33	32703B01F000	SCREW	1						
34	B07000000400	WASHER φ4	4						
35	B02040401423	SCREW	4						
36	32706B01F000	CLIP	1						
37	32707B01F000	HOSE, DRAIN	1						
38	B02050602064	SCREW M6X20	4						
39	32200G02F00A	PIPE, INTAKE	1						
40	32800B01F000	HEATER CARBURETOR	1						
41	32500B01F000	CARBURETOR ASSY ( MIKUNI)	1						
42	32801B09F000	L WASHER	1						

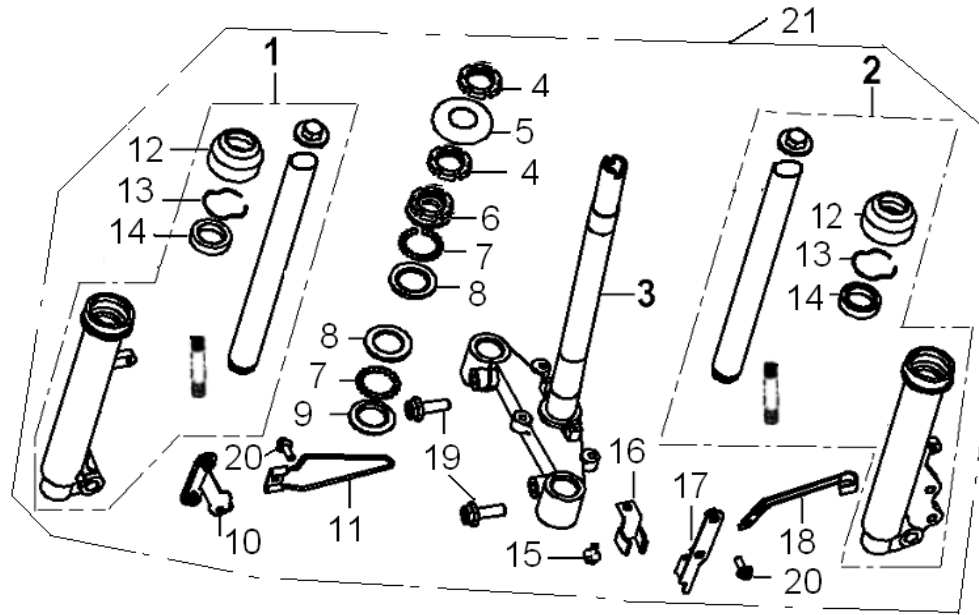


REF. NO.	PART NO.	DESCRIPTION	QTY	DESIGN CHANGE		DATE	APPLY	SUBSTITUTION	SRT	REMARK
				INITIAL	END					
1	40100BN0T000	STEERING HANDLE COMP	1							
2	40460BMBTB42	BACK MIRROR ASSY., LH.	1							
3	40600BM0T000	HANDLE SWITCH ASSY., RH	1							
4	40210BMBT000	GRIP ,THROTTLE	1							
5	40300BM0T001	CABLE ASSY,THROTTLE	1							
6	40270BMBT000	CABLE ASSY,REAR BRAKE	1							
7	40001BMBT000	GRIP,LEFT HANDLE	1							
8	40500BM0T002	SWITCH ASSY, LEFT HANDLE	1							
9	B02000502025	PAN HEAD SCREW 5X20	2							
10	B01091004565	FLANGE BOLT 10X1.25X45	1							
11	B04171012565	NUT 10X1.25	1							
12	40610BM0T000	SWITCH COMP., R. HANDLE	1							
13	40620BM0T000	SWITCH HOLDER, R. HANDLE	1							
14	40510BM0T000	SWITCH COMP., L. HANDLE	1							
15	40520BM0T000	SWITCH HOLDER, L. HANDLE	1							
16	91600BMAT000	STOP SWITCH, L. HANDLE	1							
17	40004BMAT000	LEVER MOUNTING SCREW M5	1							
18	40002BMBT000	BRAKE LEVER , L HANDLE	1							
19	40008BM0T000	JACKET, RR. BRAKE CABLE	1							
20	B02000502525	PAN HEAD SCREW 5X25	2							
21	B02000501025	PAN HEAD SCREW 5X10	1							
22	40306BM0T000	CABLE,THROTTLE 1	1							

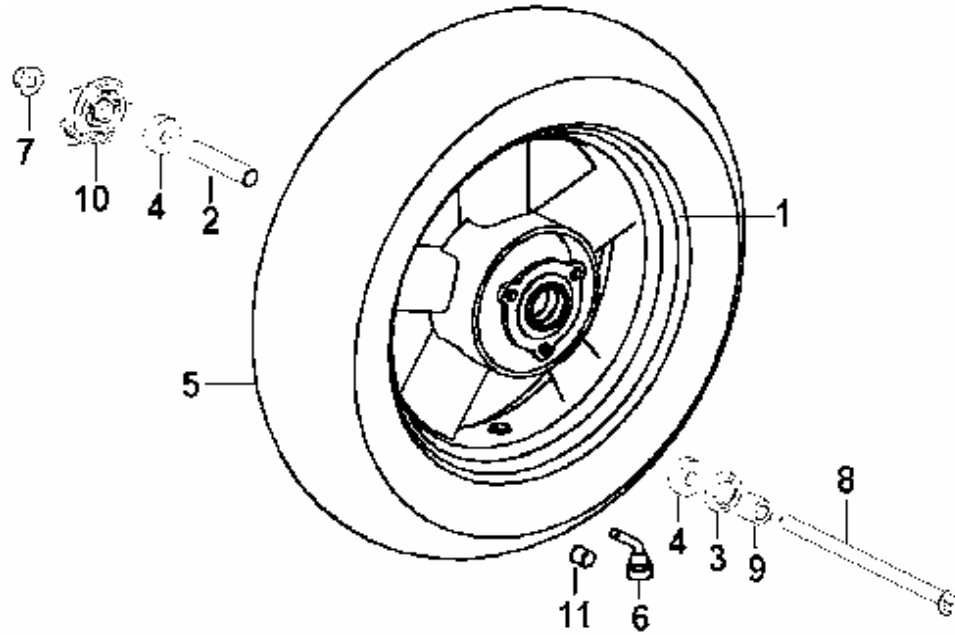
F01-1 STEERING HANDLE



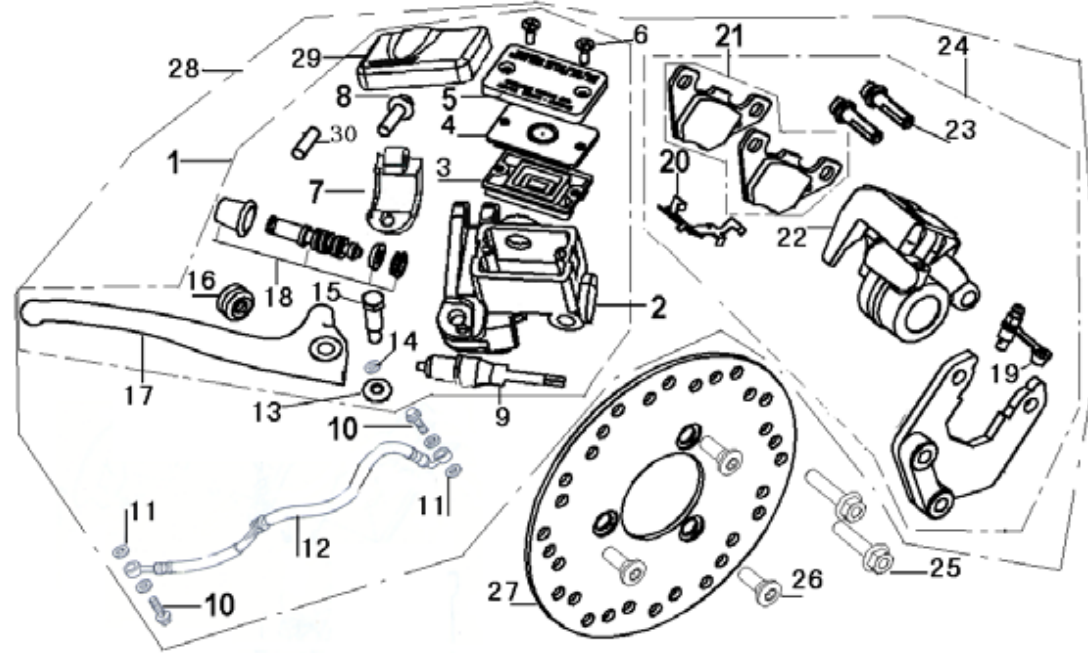
REF. NO.	PART NO.	DESCRIPTION	QTY	DESIGN CHANGE		DATE	APPLY	SUBSTITUTION	SRT	REMARK
				INITIAL	END					
23	40340BM0T001	JUNCTION BOX	1							
24	40330BM0T000	CABLE ASSY.THROTTLE 2	1							
25	B07000000505	WASHER 5	1							
26	B04000500055	NUT M5	1							
27	40470BMBTB42	BACK MIRROR ASS'Y RH	1							



REF. NO.	PART NO.	DESCRIPTION	Q'TY	DESIGN CHANGE	DATE	APPLY	SUBSTITUTION	SRT	REMARK
1	43300BMBT001	FR. R.CUSHION ASS'Y.	1						
2	43200BMBT001	FR. L. CUSHION ASS'Y.	1						
3	43100BMBT003	STEM, STEERING	1						
4	43008BMAT000	NUT II	2						
5	43005BMBT001	BALL RACE COVER	1						
6	43001BMBT002	BALL RACE, CONNECTING	1						
7	B06010150000	STEEL BALLφ5 x 42	42 PCS/SET						
8	43003BMBT000	BALL RACE, 2	2						
9	43004BMBT000	BALL RACE, 4	1						
10	65140BMBT000	R. BRACKET, FR.FENDER	1						
11	43150BMAT000	CLIP, SPEEDOMETER CABLE	1						
12	43290K00P000	DUST SEAL	2						
13	43207K00P000	CLIP	2						
14	43260K00P000	OIL SEAL	2						
15	B01090601265	BOLT M6 x 12	1						
16	43035BMBT000	HOLDER, BRAKE HOSE 2	1						
17	65130BN0T000	L. BRACKET, FR.FENDER	1						
18	43021BM0T002	HOLDER, BRAKE HOSE 1	1						
19	B01091003065	FLANGE BOLT 10X1.25X30	2						
20	B01070601665	BOLT 6X16	2						
21	43000BN0T000	FRONT FORK ASS'Y.	1						

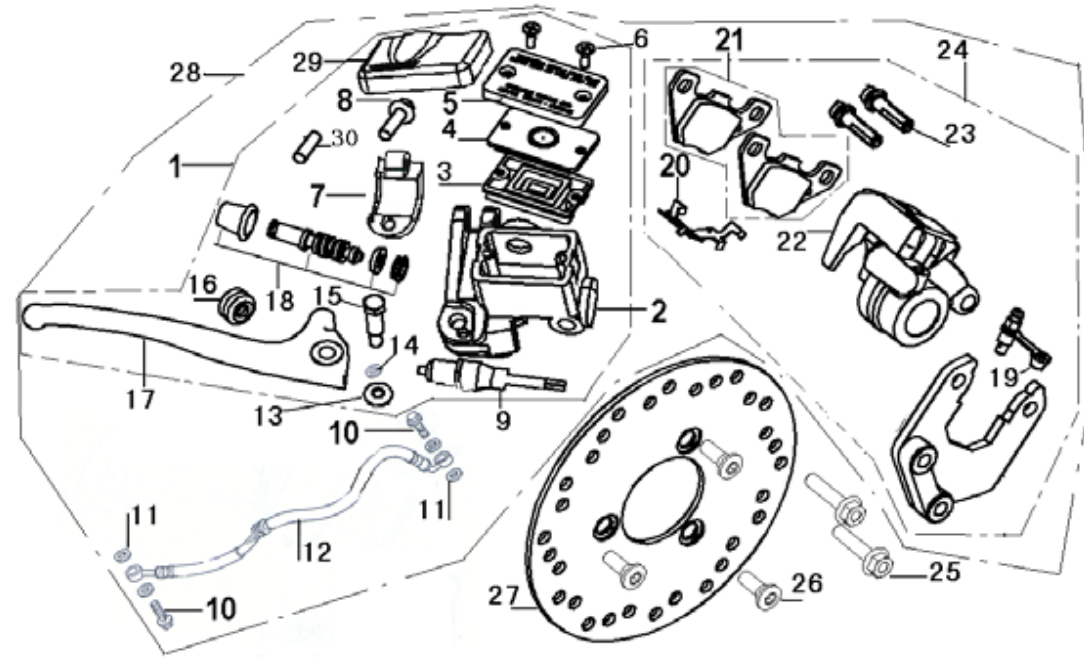


REF. NO.	PART NO.	DESCRIPTION	QTY	DESIGN CHANGE	DATE	APPLY	SUBSTITUTION	SRT	REMARK
1	44100BN0T000	RIM COMP., FRONT WHEEL	1						
2	44600BM0T910	COLLAR, FRONT WHEEL	1						
3	44300BM0T000	OIL SEAL 22X35X7	1						
4	B12016020100	BALL BEARING 6201-2RS	2						
5	B140107D12AB	TUBELESS TIRE 120/70-12(E MARK)	1						
6	B1403Z201100	VALVE	1						
7	B04171212563	FLANGE U NUT 12X1.25mm	1						
8	44004G4CT000	AXLE , FR. WHEEL M12X1.25X224	1						
9	44005BM0T000	L. COLLAR, FRONT WHEEL	1						
10	44200BM0T000	GEAR ASSY, SPEEDOMETER	1						
11	B1404Z2011C0	CAP, VALVE	1						

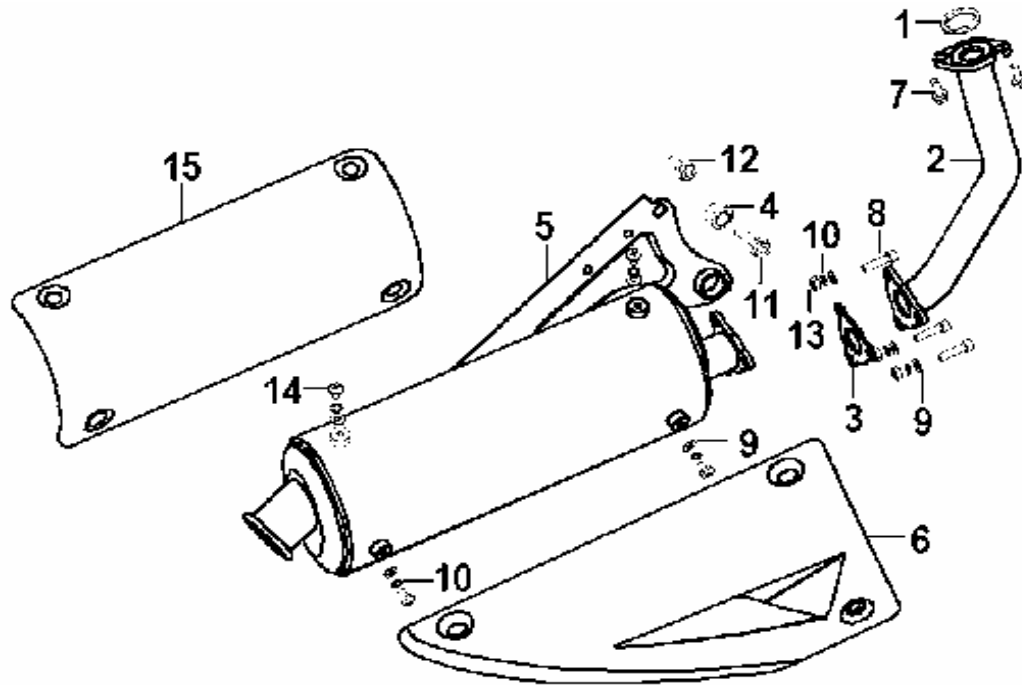


REF. NO.	PART NO.	DESCRIPTION	Q'TY	DESIGN CHANGE	DATE	APPLY	SUBSTITUTION	SRT	REMARK
1	45400BN0TB30	MASTER CYLINDER ASSY.	1						
2	45009BN0T000	MASTER CYLINDER BODY	1						
3	45011J1DT000	RUBBER SEAL, MASTER CYLINDER	1						
4	45013J1DT000	WASHER, CYLINDER	1						
5	45012BMBT000	CAP, MASTER CYLINDER	1						
6	B02010401025	FLAT HEAD SCREW 4X10	2						
7	45023BN0T000	BRACKET, MASTER CYLINDER	1						
8	B01070602365	BOLT 6X23	1						
9	45300J3AT000	STOP SWITCH, FRONT DISK BRAKE	1						
10	45037J00P000	UNION BOLT	2						
11	45029J00P000	PLATE WASHER	4						
12	45200BMBT000	FR. BRAKE HOSE	1						
13	B04160600055	NUT M6	1						
14	B07000000605	SPRING WASHER 6	1						
15	40024J1CT000	BOLT M6, R. BRAKE LEVER	1						
16	45057G0KP000	TENSION SPRING ,LEVER	1						
17	45022BMBT001	LEVER, FR. DISC BRAKE	1						
18	45140J00P000	PISTON ASSY, MASTER CYLINDER	1						
19	45021J00P000	BREED SCREW CAP	1						
20	45017G0CP000	PAD SUPPORT	1						
21	45110J4FT000	BRAKE PAD SET	1 SET						
22	45001J4FTRN0	CALIPER BODY(RE D)	1						

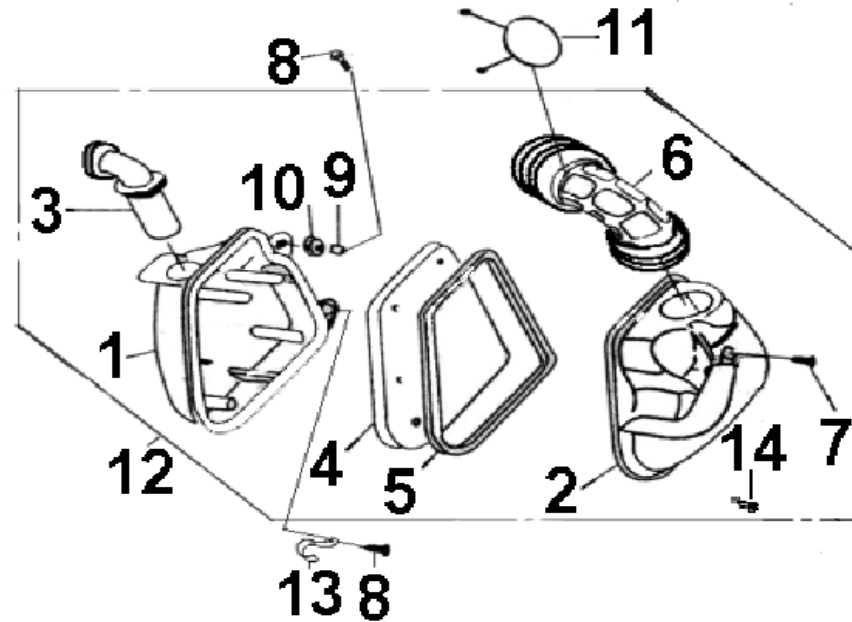




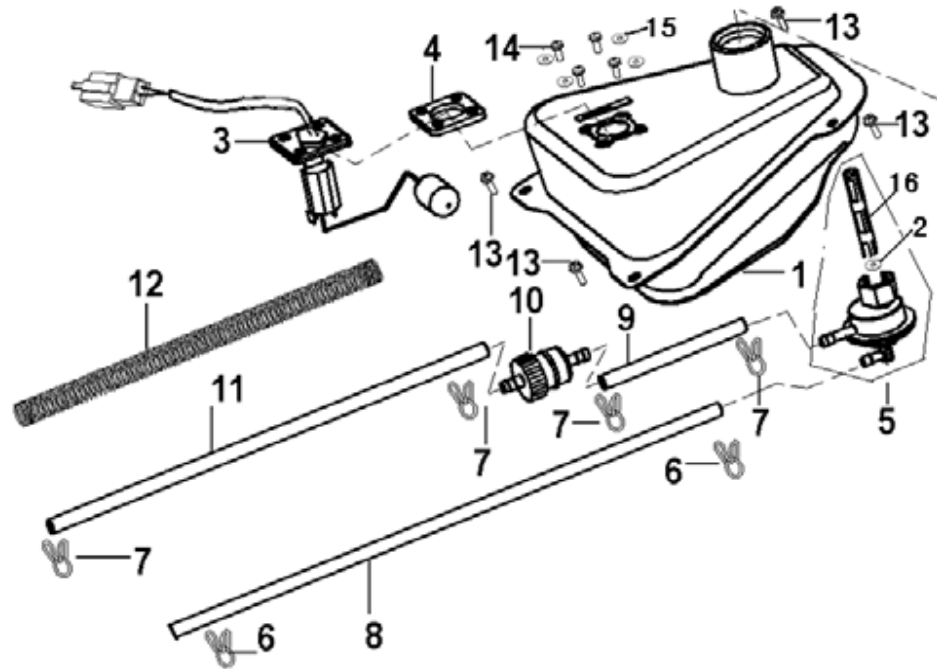
REF. NO.	PART NO.	DESCRIPTION	QTY	DESIGN CHANGE	DATE	APPLY	SUBSTITUTION	SRT	REMARK
23	45053G0CP000	GUIDE POLE	2						
24	45500J4FTRN0	CALIPER ASSY.	1						
25	45039J4FT000	BOLT	2						
26	45036JJ0T000	BOLT	3						
27	45033BM0T001	BRAKE DISC	1						
28	45000BN0TRN0	DISC BRAKE ASSY., FR	1						
29	45079BN0T000	COVER, CYLINDER	1						
30	B090105022A5	COLUMN PIN	1						



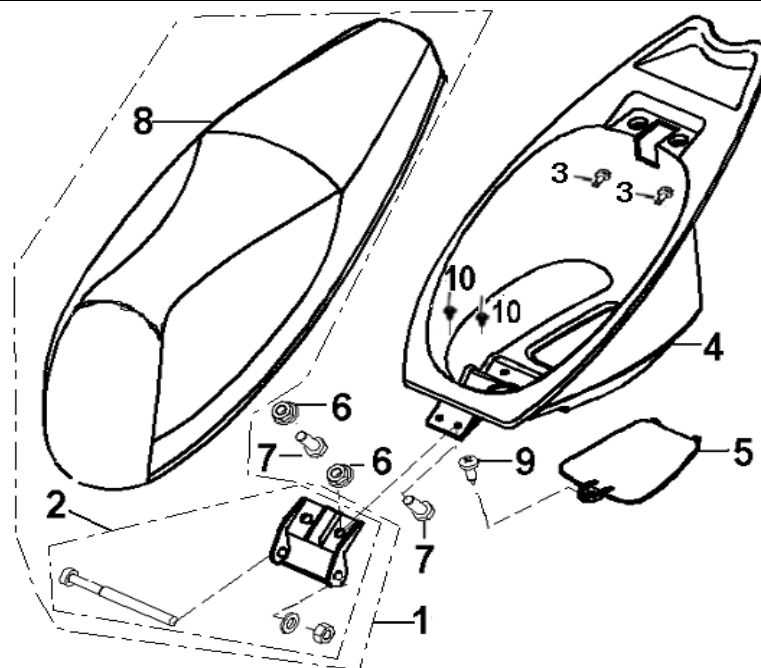
REF. NO.	PART NO.	DESCRIPTION	Q'TY	DESGIN CHANGE	DATE	APPLY	SUBSTITUTION	SRT	REMARK
1	47800BMBT001	GASKET, EXHAUST PIPE	1						
2	47500BN0T000	EXHAUST PIPE	1						
3	47740BMBT000	GASKET, MUFFLER	1						
4	47800B0ET000	WASHER, FIXING	1						
5	47100BN0T001	MUFFLER COMP.	1						
6	47009BN0T001	PROTECTOR B, MUFFLER	1						
7	B01090601665	FLANGE BOLT 6X16mm	2						
8	B02050602560	SCREW 6X25mm	3						
9	B07030000600	WASHER	7						
10	B07000000600	SPRING WASHER 6	7						
11	B01090803565	BOLT, FLANGE 8X35mm	1						
12	B01090802065	BOLT, FLANGE 8X20mm	1						
13	B04000600060	NUT 6mm	3						
14	B02000601060	SCREW 6X10mm	4						
15	47760BN0T001	PROTECTOR A, MUFFLER	1						



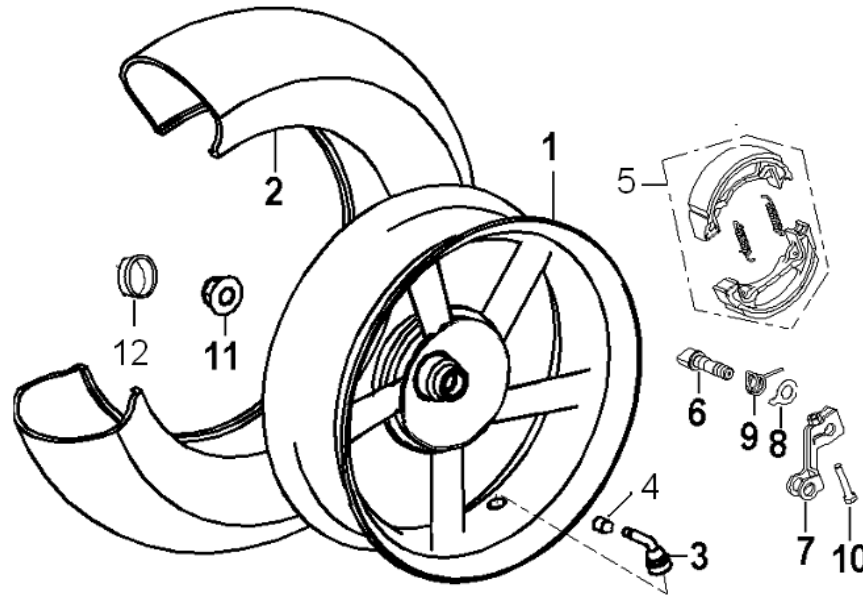
REF. NO.	PART NO.	DESCRIPTION	Q'TY	DESIGN CHANGE	DATE	APPLY	SUBSTITUTION	SRT	REMARK
1	49101BMBT000	CASE, AIR CLEANER	1						
2	49001BMBT000	COVER, AIR CLEANER	1						
3	49002BMBT000	GUIDE PIPE	1						
4	49200BMBT000	ELEMENT, AIR CLEANER	1						
5	49013BM0T001	RUBBER SEAL, AIR CLEANER	1						
6	49005BM0T001	DUCT, AIR CLEANER CASE	1						
7	B05074202005	SCREW, TAPPING ST4.2X20	5						
8	B01090602065	BOLT 6X20	2						
9	49023BM0T000	BUSH	2						
10	49022BM0T000	GROMMET	2						
11	49016BM0T000	CLIP	1						
12	49000BMBT001	AIR CLEANER ASSY.	1						
13	49371B0DT000	GUIDE, RR. BRAKE CABLE	1						
14	B05074201205	TAPPING SCREW ST4.2X12	4						



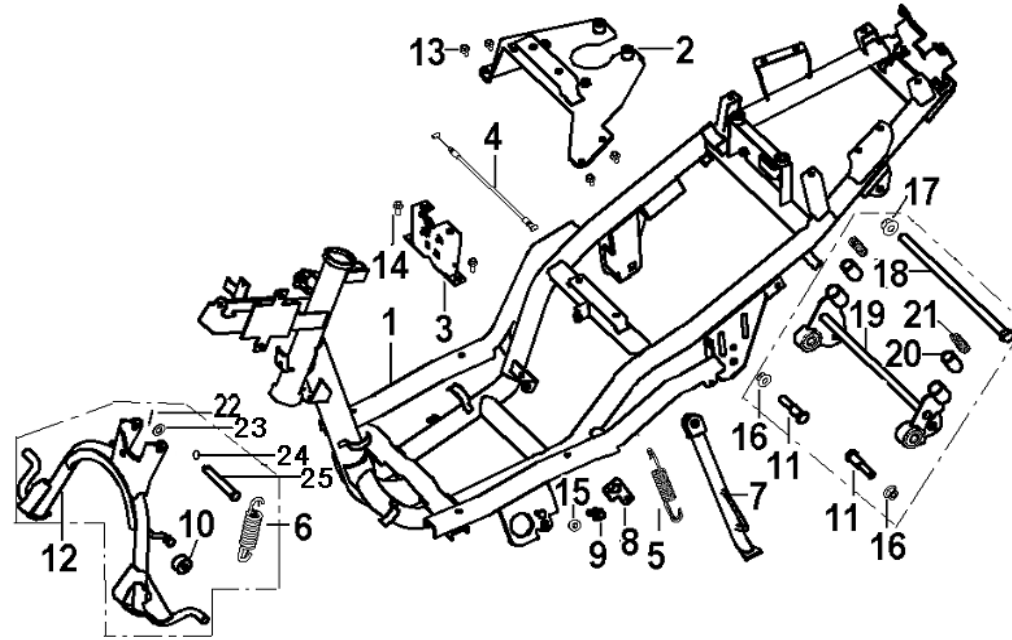
REF. NO.	PART NO.	DESCRIPTION	Q'TY	DESGIN CHANGE	DATE	APPLY	SUBSTITUTION	SRT	REMARK
1	50100BN0T000	FUEL TANK COMP.	1						
2	50312J0ET000	SEAL RING	1						
3	50800BN0T000	FUEL UNIT	1						
4	50004BM0T000	GASKET, FUEL UNIT	1						
5	50300BM0T000	FUEL COCK COMP.	1						
6	50306BM0T000	CLIP	2						
7	50307BM0T000	CLIP	4						
8	50302BN0T000	FUEL HOSE (4x8x360mm)	1						
9	50301BN0T000	FUEL HOSE (4.5x8.5x70 mm)	1						
10	50340BMAT000	FUEL FILTER ASSY.	1						
11	50303BN0T000	FUEL HOSE (4.5x8.5x260 mm)	1						
12	50316BMBT000	SPRING, FUEL HOSE	1						
13	B01090601265	FLANGE BOLT M6X12	4						
14	50801BM0T000	BOLT M5X16	4						
15	B07020000505	WASHER	4						
16	50352BM0T000	FUEL FILTER	1						



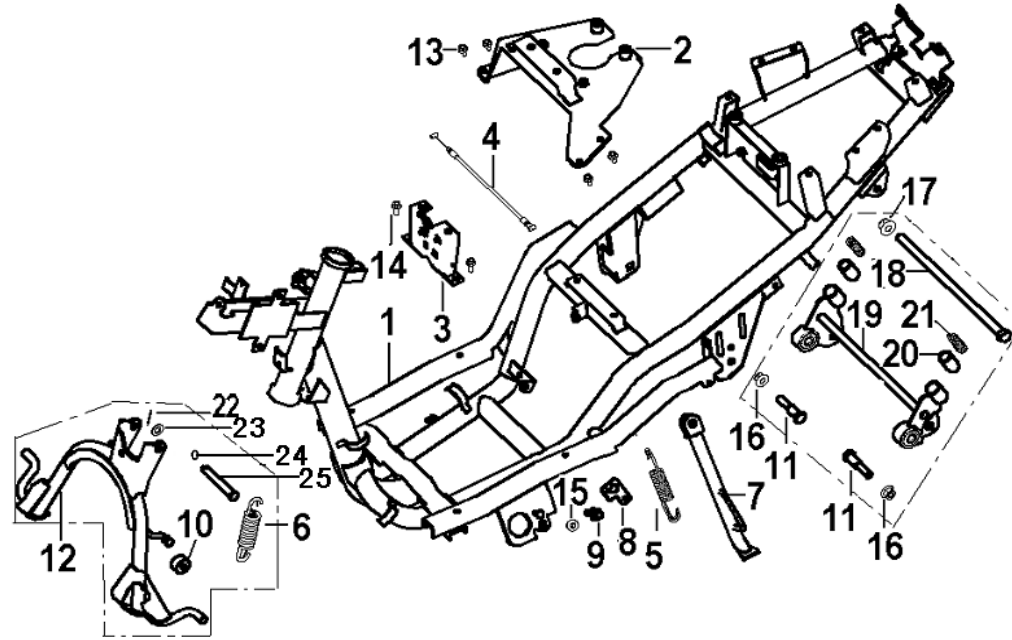
REF. NO.	PART NO.	DESCRIPTION	Q'TY	DESGIN CHANGE	DATE	APPLY	SUBSTITUTION	SRT	REMARK
1	51100BN0T000	DOUBLE SEAT ASS'Y	1						
2	51080BN0T000	HINGE ASS'Y, DOUBLE SEAT	1						
3	08011H60X000	BOLT M6X14	2						
4	51004BN0T000	LUGGAGE BOX COMP	1						
5	51005BN0T000	COVER, LUGGAGE BOX	1						
6	B04070600065	NUT M6	2						
7	B02060601625	BOLT M6X16	2						
8	51110BN0T000	DOUBLE SEAT COMP	1						
9	B05074801305	SCREW ST4.8X13MM	1						
10	08017J4AT000	BOLT W/WASHER M6X20	2						



REF. NO.	PART NO.	DESCRIPTION	QTY	DESIGN CHANGE	DATE	APPLY	SUBSTITUTION	SRT	REMARK
1	54100BN0T000	RIM COMP. REAR WHEEL 3.5X12" (BLACK)	1						
2	B140108D12BB	TUBELESS TIRE 130/70-12 (E MARK)	1						
3	B1403Z201100	RIM VALVE	1						
4	B1404Z2011C0	CAP, VALVE	1						
5	54800BM0T000	BRAKE SHOE SET, REAR WHEEL	1						
6	54003BM0T000	CAM SHAFT, 2	1						
7	54007BM0T000	CAM SHAFT LEVER, 2	1						
8	54002BM0T000	INDICATOR PLATE	1						
9	54008BMBT000	TENSION SPRING	1						
10	08012BM0T000	HEX. BOLT 6X30	1						
11	B04171615063	NUT M16X1.5	1						
12	54027BM0T000	DUST CAP	1						

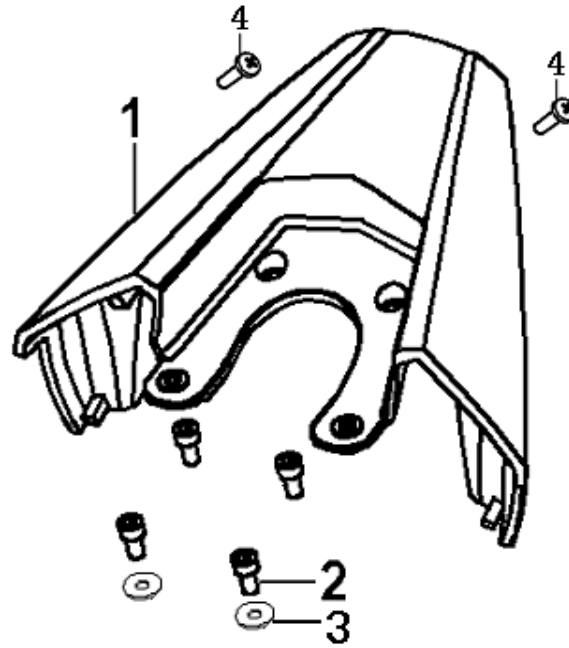


REF. NO.	PART NO.	DESCRIPTION	Q'TY	DESIGN CHANGE	DATE	APPLY	SUBSTITUTION	SRT	REMARK
1	57100BN0T000	FRAME COMP.	1						
2	57080BN0T000	CARRIER BRACKET	1						
3	58800BM0T000	SEAT CATCH COMP.	1						
4	58900BMBT000	SEAT CABLE ASSY.	1						
5	57003BM0T000	SPRING ASSY, SIDE STAND	1						
6	58502BM0T000	SPRING ASSY, MAIN STAND	1						
7	58700BN0T000	SIDE STAND COMP.	1						
8	57006BM0T000	SPRING HOOK, SIDE STAND	1						
9	57005BMBT000	BOLT, SIDE STAND	1						
10	58507BM0T000	STOPPER, MAIN STAND	1						
11	58301BMBT000	BOLT, E/G MOUNTING	2						
12	58520BN0T000	MAIN STAND ASSY.	1						
13	B01090601665	FLANGE BOLT M6X16	4						
14	B01090602565	FLANGE BOLT M6X25	2						
15	B04070800065	NUT M8	1						
16	B04171012565	NUT M10X1.25	2						
17	B04171212563	NUT M12X1.25	1						
18	58303BM0T000	BOLT, ENGINE HANGER	1						
19	58360BMBT000	HANGER LINK, ENGINE	1						
20	58302B0DT000	DAMPER	2						
21	58304BMBT000	SPRING	2						
22	63016B0DT000	SPLIT PIN	1						

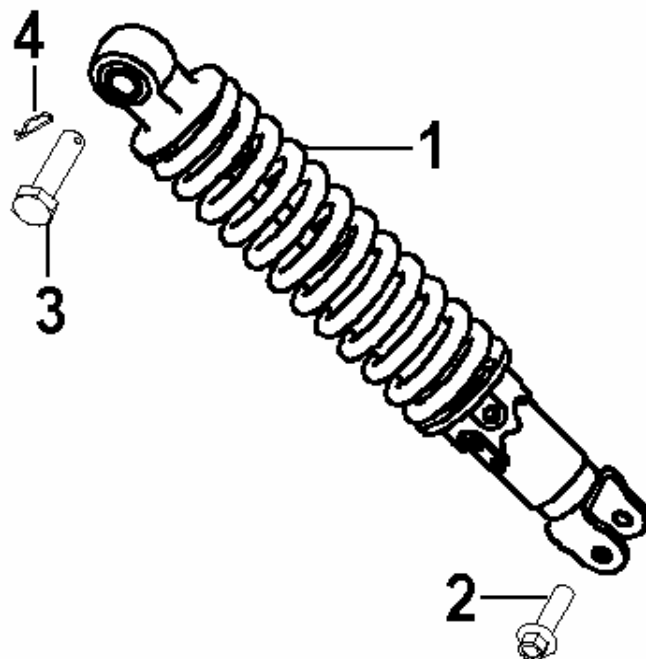


REF. NO.	PART NO.	DESCRIPTION	Q'TY	DESIGN CHANGE	DATE	APPLY	SUBSTITUTION	SRT	REMARK
23	58508B0DT000	PLATE WASHER 10	1						
24	B190101000A0	O-RING 10X1.8	1						
25	58590BM0T000	PIN , MAIN STAND	1						

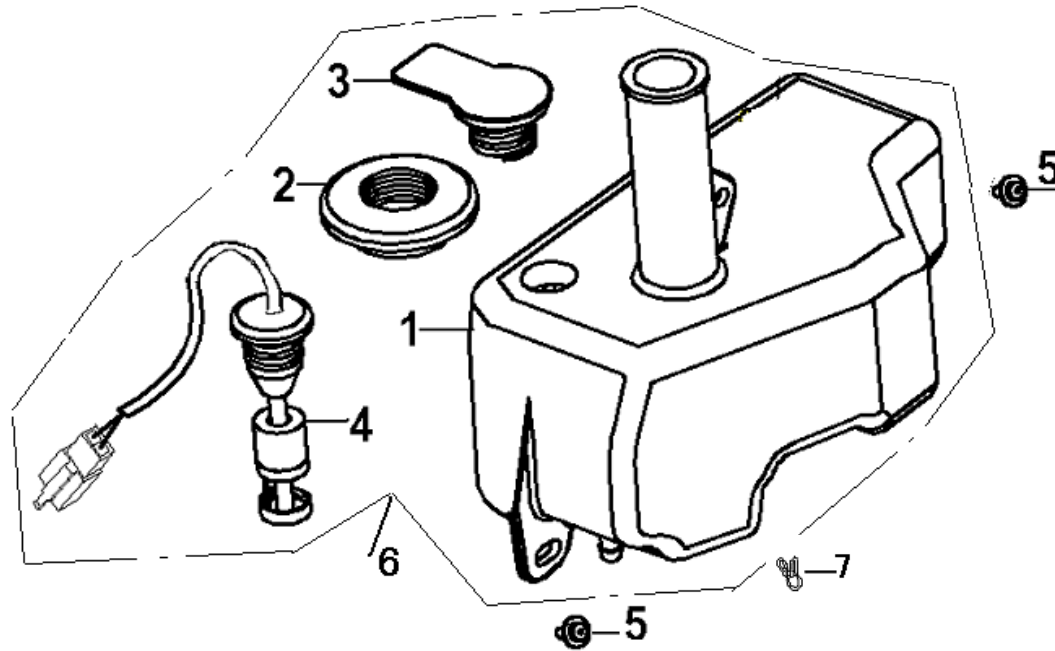




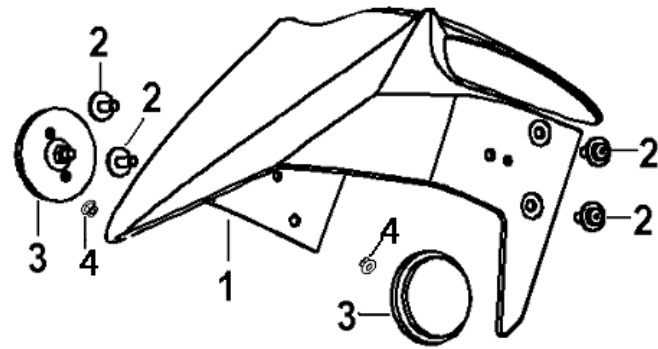
REF. NO.	PART NO.	DESCRIPTION	Q'TY	DESIGN CHANGE	DATE	APPLY	SUBSTITUTION	SRT	REMARK
1	52011BN0TC10	HANDRAIL (SILVER)	1						
	52011BN0TB40	HANDRAIL (MAT BLACK)	1						
	52011BN0TLE0	HANDRAIL (BLUE)	1						
2	B02050801265	BOLT M8X20	4						
3	B07020000805	WASHER 8	2						
4	B02060501225	SCREW M5X12	2						



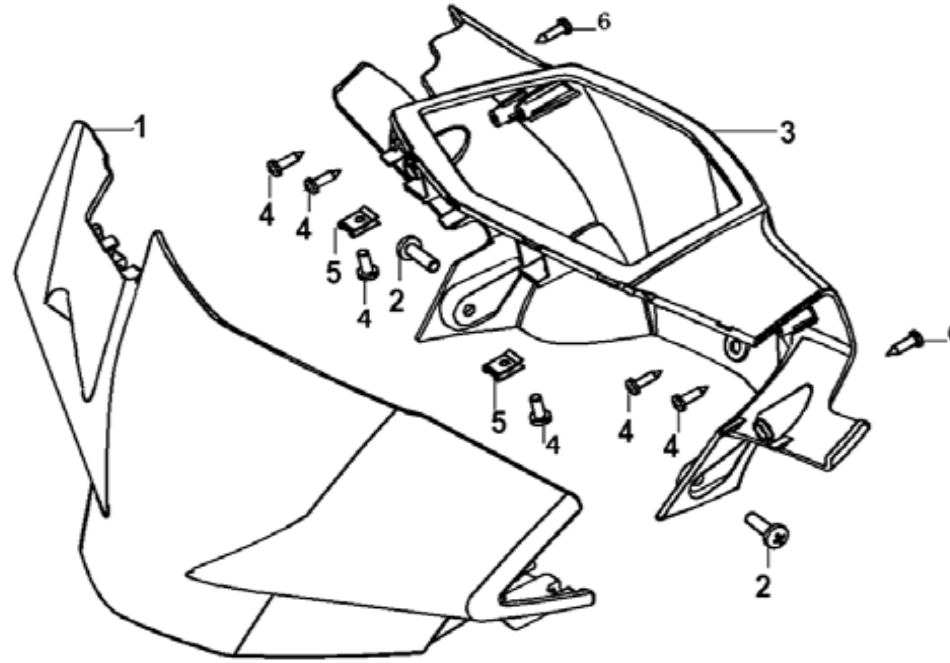
REF. NO.	PART NO.	DESCRIPTION	Q'TY	DESGIN CHANGE	DATE	APPLY	SUBSTITUTION	SRT	REMARK
1	63100BM0TB30	RR. ABSORBER COMP., (BLACK)	1						
2	63015J0ET000	FLANGE BOLT M8x31	1						
3	B01141004063	BOLT W/HOLE 10X1.25x40	1						
4	63016B0DT000	SPLIT PIN	1						



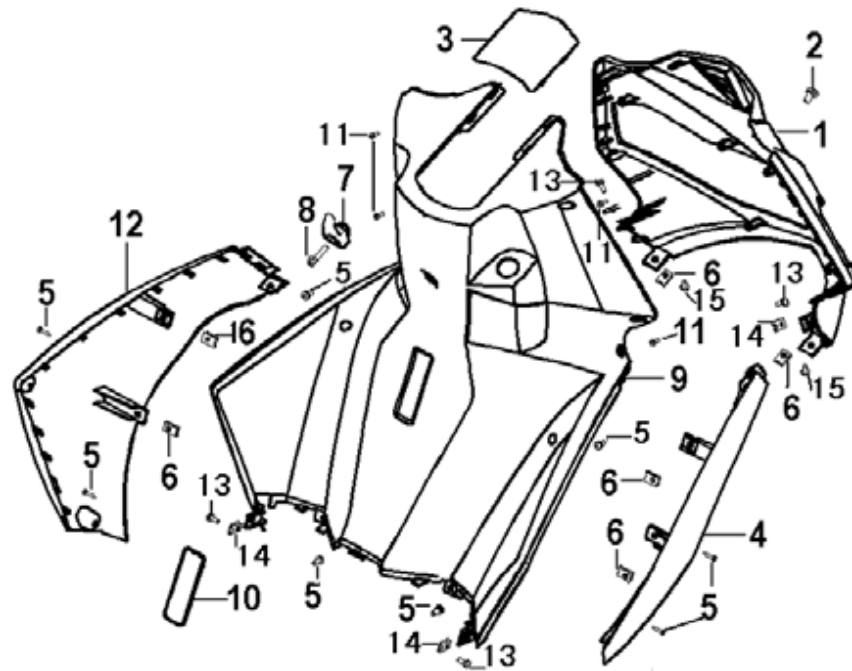
REF. NO.	PART NO.	DESCRIPTION	Q'TY	DESIGN CHANGE	DATE	APPLY	SUBSTITUTION	SRT	REMARK
1	64001BN0T00	OIL TANK	1						
2	64012BN0T00	RUBBER, OIL GUIDE	1						
3	64090BMAT000	CAP, OIL TANK	1						
4	64100BMAT000	OIL LEVER GAUGE ASSY.	1						
5	B13060601605	SCREW M6X16	2						
6	64000BN0T000	OIL TANK ASSY.	1						
7	50307BM0T000	CLIP	1						



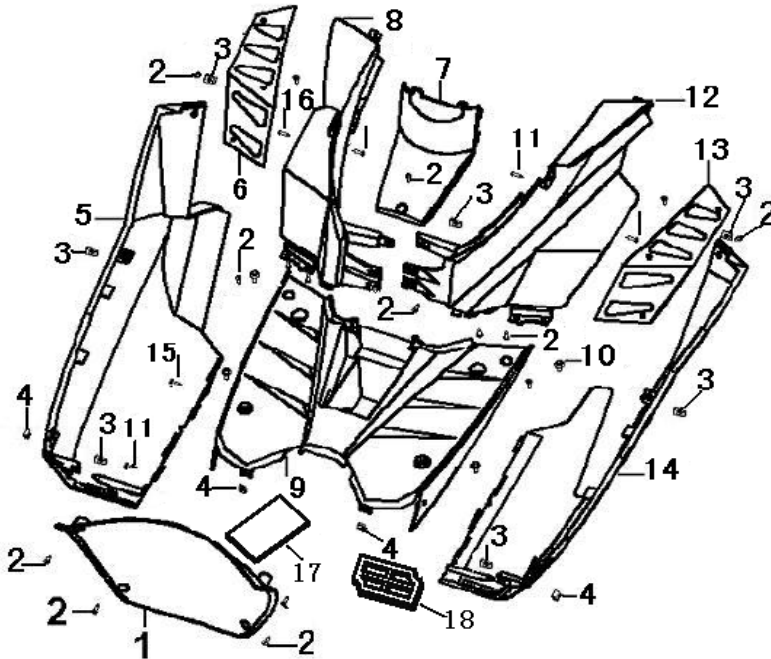
REF. NO.	PART NO.	DESCRIPTION	QTY	DESGIN CHANGE	DATE	APPLY	SUBSTITUTION	SRT	REMARK
1	65101BN0TC10	FRONT FENDER (SILVER)	1						
	65101BN0TB40	FRONT FENDER (MAT BLACK)	1						
	65101BN0TLE0	FRONT FENDER (BLUE)	1						
2	65114BMBT000	SCREW WITH WASHER 6X16	4						
3	86300B20T005	FR. REFLECTOR(E-MARK)	2						
4	B04070600065	FLANGE NUT	2						



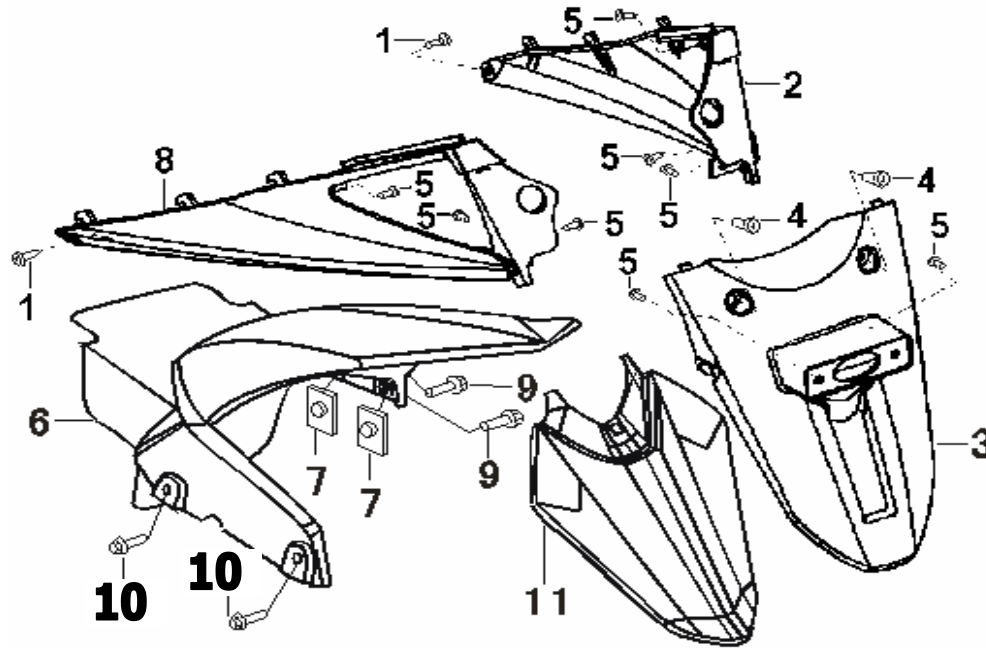
REF. NO.	PART NO.	DESCRIPTION	Q'TY	DESIGN CHANGE	DATE	APPLY	SUBSTITUTION	SRT	REMARK
1	65201BN0TC10	HANDLE COVER,FR (SILVER)	1						
	65201BN0TB40	HANDLE COVER,FR (BLACK)	1						
	65201BN0TLE0	HANDLE COVER,FR (BLUE)	1						
2	B13010602005	SCREW 6X20	2						
3	65202BN0T000	HANDLE COVER,RR	1						
4	B05070401605	TAPPING SCREW 4X16	6						
5	65801BMAT000	CLIP NUT	2						
6	B0507041205	TAPPING SCREW 4X12	2						



REF. NO.	PART NO.	DESCRIPTION	QTY	DESIGN CHANGE	DATE	APPLY	SUBSTITUTION	SRT	REMARK
1	65301BN0TC10	FRONT COVER (SILVER)	1						
	65301BN0TB40	FRONT COVER (MAT BLACK)	1						
	65301BN0TLE0	FRONT COVER (BLUE)	1						
2	B02060601625	SCREW M6X16	1						
3	65303BN0T000	UPPER COVER, LEG SHIELD	1						
4	65365BN0TC10	R. FR. SIDE COVER (SILVER)	1						
	65365BN0TB40	R. FR. SIDE COVER (MAT BLACK)	1						
	65365BN0TLE0	R. FR. SIDE COVER (BLUE)	1						
5	B05074801605	TAPPING SCREWS ST4.8X16	8						
6	65801BMAT000	CLIP NUT	8						
7	51011B5BT000	HOOK, HELMET	1						
8	B01090602565	BOLT M6X25	1						
9	65402BN0T000	LEG SHIELD	1						
10	65403BN0T000	COVER, FRAME NUMBER	1						
11	B05000401605	TAPPING SCREWS ST4X16	4						
12	65364BN0TC10	L. FR. SIDE COVER (SILVER)	1						
	65364BN0TB40	L. FR. SIDE COVER (MAT BLACK)	1						
	65364BN0TLE0	L. FR. SIDE COVER (BLUE)	1						
13	B05074801905	TAPPING SCREW ST4.2X16	2						
14	65802BMAT000	CLIP NUT	4						
15	B05074201605	TAPPING SCREWS ST4.2X16	4						

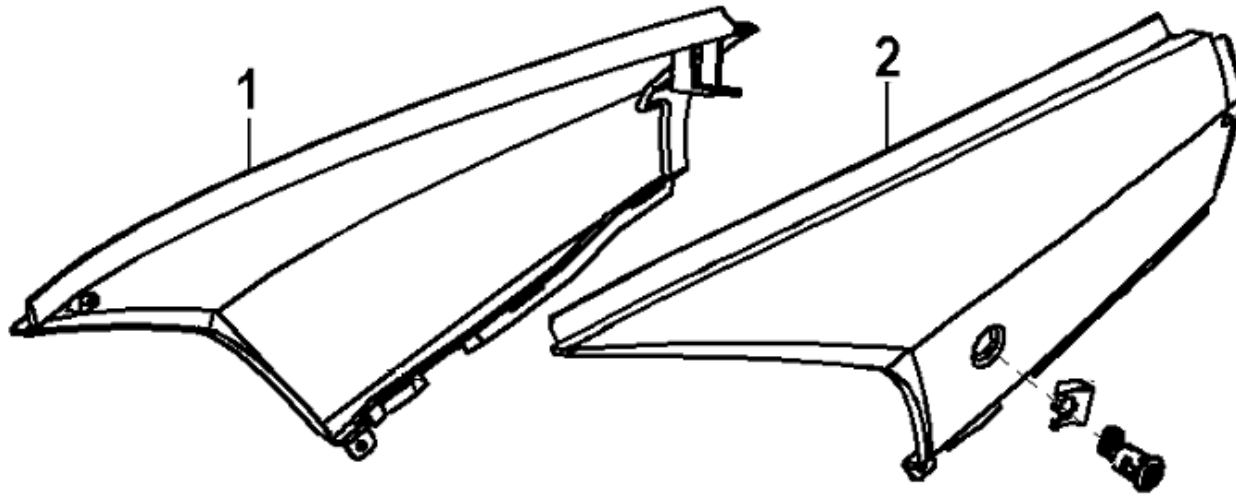


REF. NO.	PART NO.	DESCRIPTION	Q'TY	DESIGN CHANGE	DATE	APPLY	SUBSTITUTION	SRT	REMARK
1	65406BN0T000	FENDER, INNER	1						
2	B05074201605	TAPPING SCREW 4.2X16	18						
3	65801BMAT000	CLIP NUT	11						
4	65802BMAT000	CLIP NUT	4						
5	65409BN0TC10	R. SIDE COVER (SLIVER)	1						
	65409BN0TB40	R. SIDE COVER (MAT BLACK)	1						
	65409BN0TLE0	R. SIDE COVER (BLUE)	1						
6	65414BN0T000	RUBBLER PLATE, RIGHT FOOTREST	1						
7	65813BN0T000	BATTERY LID	1						
8	65604BN0T000	R SIDE FOOT STEP COVER	1						
9	65401BN0T000	FLOOR PANEL COMP.	1						
10	08011H60X000	BOLTS M6x14	4						
11	B05070401605	TAPPING SCREW 4X16	3						
12	65603BN0T000	L SIDE FOOT STEP COVER	1						
13	65413BN0T000	RUBBER PLATE, LEFT FOOTREST	1						
14	65408BN0TC10	L. SIDE COVER (SILVER)	1						
	65408BN0TB40	L. SIDE COVER (MAT BLACK)	1						
	65408BN0TLE0	L. SIDE COVER (BLUE)	1						
15	B05070401205	TAPPING SCREW 4X12	1						
16	B02060501425	SCREW M5X14	2						
17	65811BMBT000	BATTERY DAMPER 1	1						
18	65812BMBT000	BATTERY DAMPER 2	1						

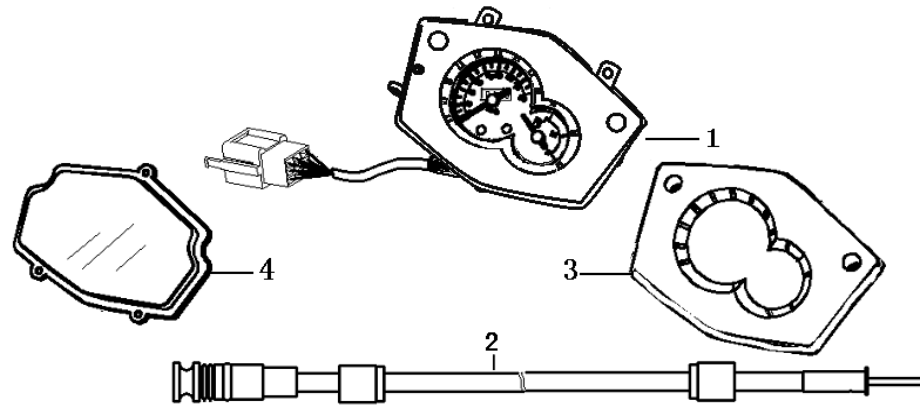


REF. NO.	PART NO.	DESCRIPTION	QTY	DESIGN CHANGE		DATE	APPLY	SUBSTITUTION	SRT	REMARK
				INITIAL	END					
1	B13010501405	SCREW ASSY M5X14	2							
2	65718BN0T000	SIDE FENDER, RR. LEFT	1							
3	65701BN0T000	MUDGUARD, REAR	1							
4	B13010601205	SCREW ASSY M6X12	2							
5	B05074201305	TAPPING SCREW ST4.2X13	8							
6	65709BN0T000	REAR CENTER FENDER	1							
7	65803JOET000	SPRING NUT M6	2							
8	65717BN0T000	SIDE FENDER, RR. RIGHT	1							
9	B01090602055	BOLT M6X20	2							
10	B01090601655	BOLT M6X16	2							
11	65719BN0T000	MUDGUARD, REAR	1							

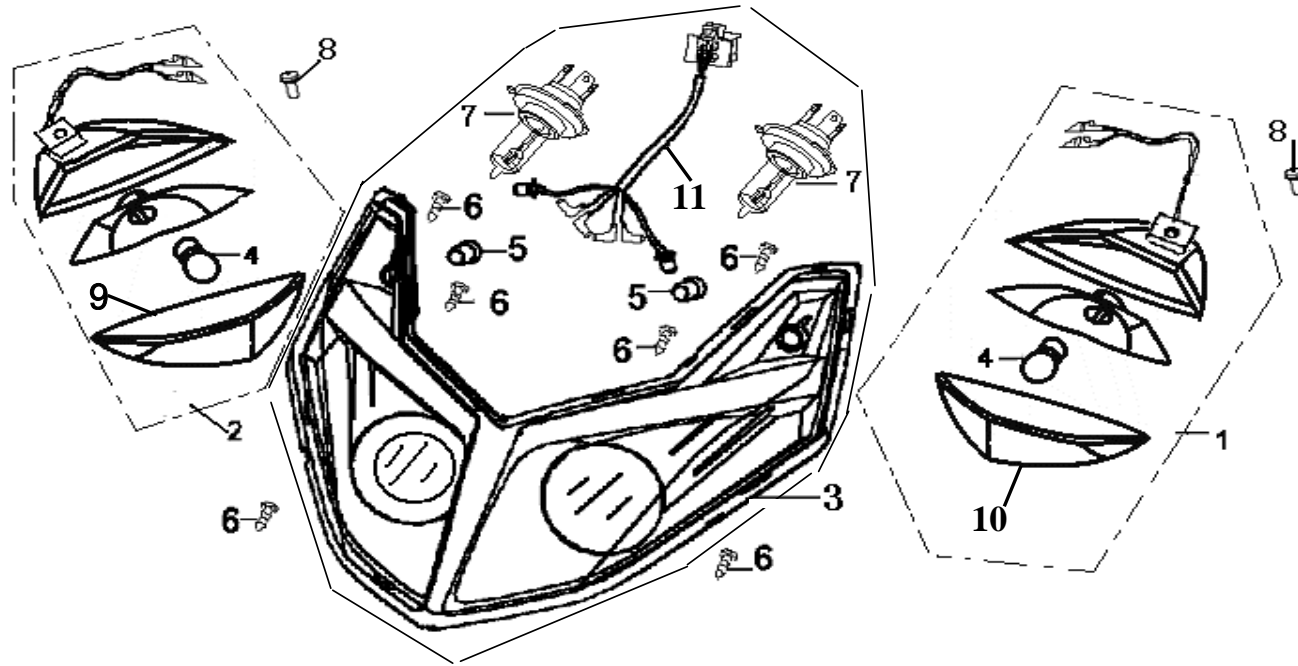




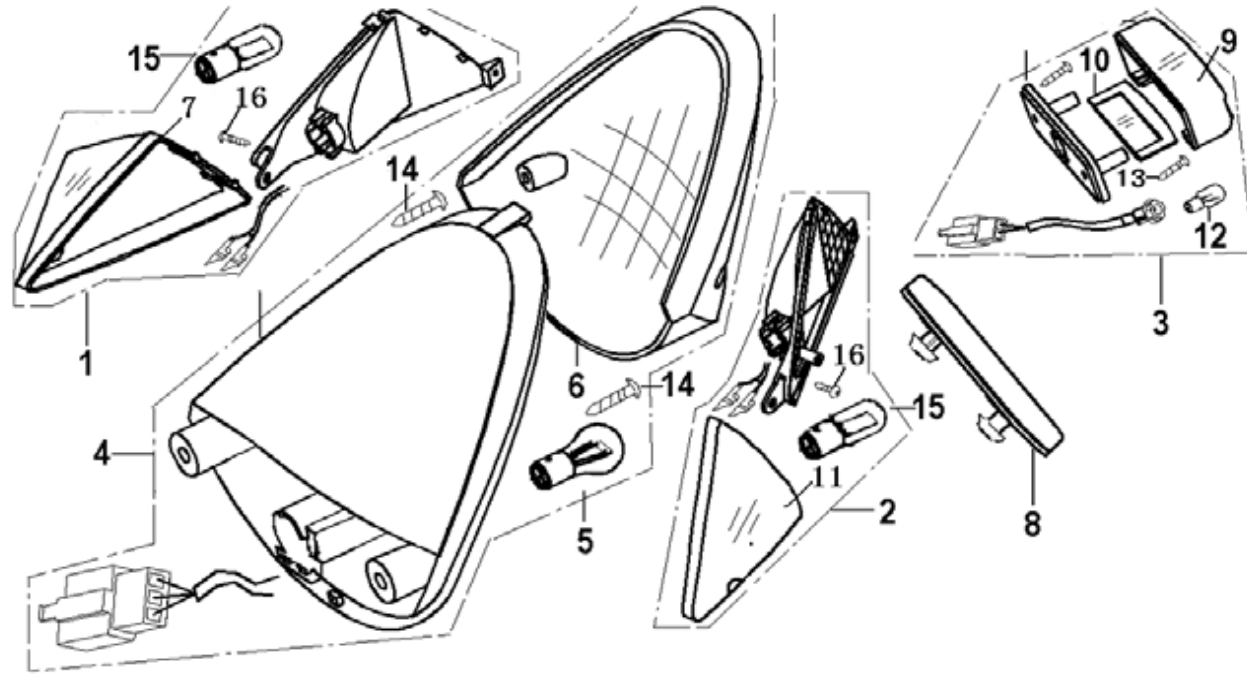
REF. NO.	PART NO.	DESCRIPTION	Q'TY	DESGIN CHANGE	DATE	APPLY	SUBSTITUTION	SRT	REMARK
1	65602BN0TC10	BODY COVER ,R (SILVER)	1						
	65602BN0TB40	BODY COVER ,R (MAT BLACK)	1						
	65602BN0TLE0	BODY COVER ,R (BLUE)	1						
2	65601BN0TC10	BODY COVER ,L (SILVER)	1						
	65601BN0TB40	BODY COVER ,L (MAT BLACK)	1						
	65601BN0TLE0	BODY COVER ,L (BLUE)	1						



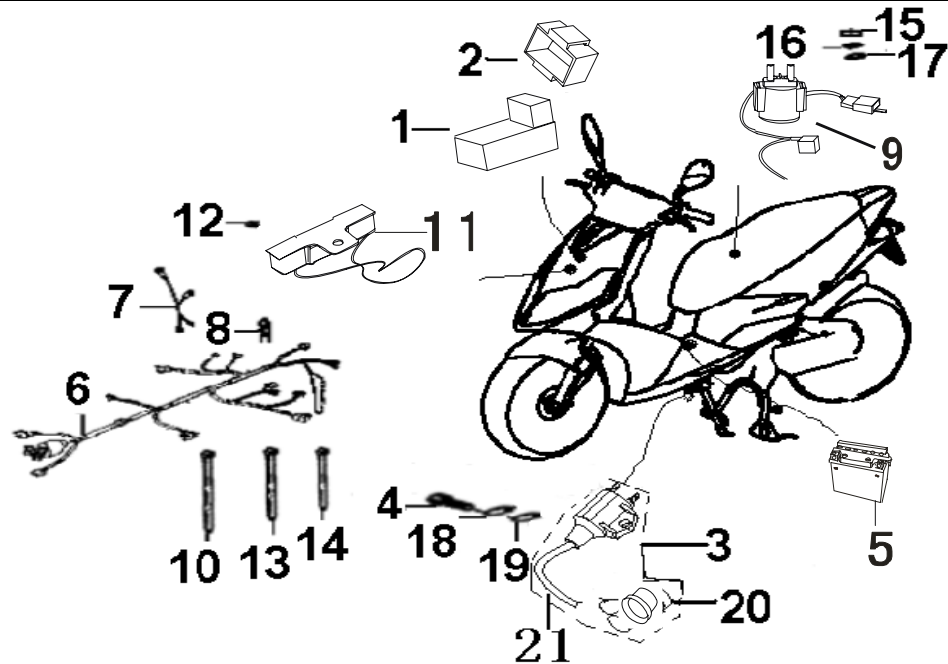
REF. NO.	PART NO.	DESCRIPTION	Q'TY	DESIGN CHANGE	DATE	APPLY	SUBSTITUTION	SRT	REMARK
1	7000BN0T000	SPEEDOMETER ASSY. 45KM	1						
2	72900BN0T000	SPEEDOMETER CABLE COMP.	1						instead of 72900BMBT000
3	70003BN0T000	SPEEDOMETER COVER 1	1						
4	70004BN0T000	SPEEDOMETER COVER 2	1						



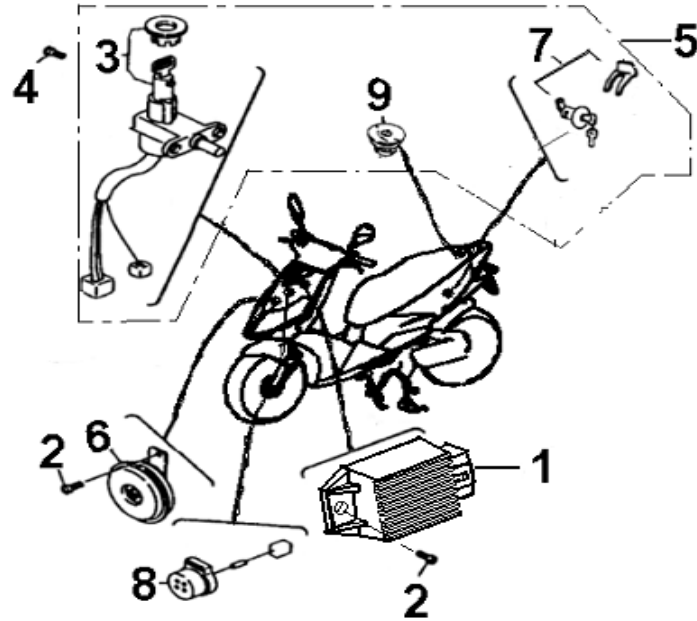
REF. NO.	PART NO.	DESCRIPTION	Q'TY	DESIGN CHANGE	DATE	APPLY	SUBSTITUTION	SRT	REMARK
1	81100BN0T000	FLASHER LIGHT ASSY., L(E MARK)	1						
2	81300BN0T000	FLASHER LIGHT ASSY., R(E MARK)	1						
3	80000BN0T000	HEAD LIGHT ASSY. (E MARK)	1						
4	81501BN0T000	BULB, 12V/10W	2						
5	80003BN0T000	BULB 12V/5W	2						
6	B05070401605	TAPPING SCREW 4X16	6						
7	80002BN0T000	BULB, (12V 35/35W)	2						
8	B13140501405	SCREW W/WASHER M5X13	2						
9	81302BN0T000	LIGHT COVER, R.	1						
10	81102BN0T000	LIGHT COVER, L.	1						
11	80009BN0T000	HEADLIGHT WIRE ASSY..R	1						



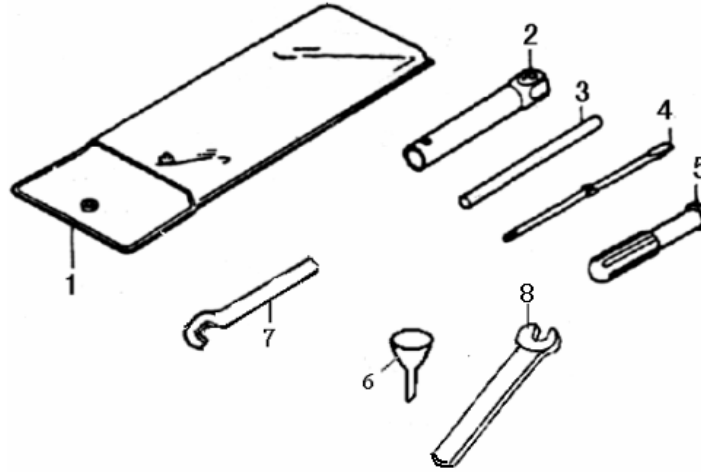
REF. NO.	PART NO.	DESCRIPTION	Q'TY	DESIGN CHANGE	DATE	APPLY	SUBSTITUTION	SRT	REMARK
1	81700BN0T000	FLASHER LIGHT ASSY., RR. RIGHT (E MARK)	1						
2	81500BN0T000	FLASHER LIGHT ASSY., RR. LEFT (E MARK)	1						
3	82500BN0T000	LIGHT ASS'Y, LICENSE PLATE	1						
4	82000BN0T000	TAIL LIGHT ASSY. (E MARK)	1						
5	82005BN0T000	BULB 12V 21/5W	1						
6	82008BN0T000	LENS, TAIL LIGHT	1						
7	81708BN0T000	FLASHER LIGHT COVER , R	1						
8	86500BN0T000	RR . REFLECTOR ( E MARK )	1						
9	82503BN0T000	LICENSE LIGHT COVER	1						
10	82507BN0T000	LENS, LICENSE LIGHT	1						
11	81508BN0T000	FLASHER LIGHT COVER , L	1						
12	82505BN0T000	BULB	1						
13	08008BN0T000	SCREW 4X12	2						
14	08009BN0T000	SCREW 4X18	2						
15	81505BN0T000	BULB 12V 10W	2						
16	08011BN0T000	SCREW 3X8	2						



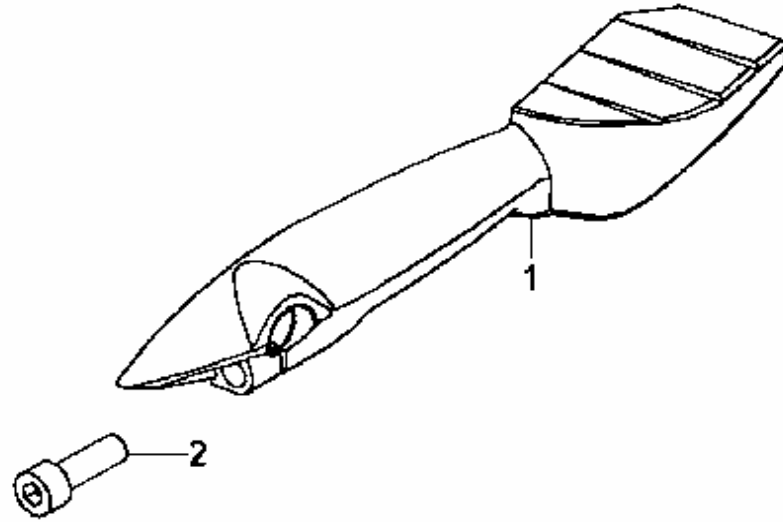
REF. NO.	PART NO.	DESCRIPTION	QTY	DESIGN CHANGE		DATE	APPLY	SUBSTITUTION	SRT	REMARK
				INITIAL	END					
1	97701BM0T001	C.D.I. UNIT COMP.	1							
2	96007BM0T000	CUSHION C.D.I.	1							
3	96200BN0T000	IGNITION COIL ASSY.	1							
4	B02000502025	SCREW 5X20	1							
5	96100BM0T000	BATTERY ASSY.	1							
6	92000BN0T000	WIRE HARNESS ASSY.	1							
7	96900BMBT000	SUB WIRE HARNESS	1							
8	96800BMAT000	FUSE 8A,250V	1							
9	94000BN0T000	STARTER RELAY COMP.	1							
10	96001K00P000	BAND 250MM	3							
11	96600BMAT000	RESISTOR COMP.	1							
12	B01090601265	BOLT 6X12mm	2							
13	96003K00P000	BAND 200mm	3							
14	96002K00P000	BAND 150mm	5							
15	B04000600035	NUT 6mm	1							
16	B07000000605	WASHER 6mm	2							
17	B07030000605	WASHER 6mm	2							
18	B07000000505	WASHER 5mm	1							
19	B07030000505	WASHER 5mm	1							
20	96201BMAT000	CAP, SPARK PLUG	1							
21	96210-BN0T000	BASE, IGNITION COIL	1							



REF. NO.	PART NO.	DESCRIPTION	Q'TY	DESIGN CHANGE	DATE	APPLY	SUBSTITUTION	SRT	REMARK
1	98801B09F000	REC. REGULATOR COMP.	1						
2	B01090601265	BOLT 6X12	2						
3	88100BMBT000	IGNITION SWITCH ASSY.	1						
4	08002BMBT000	BOLT 6X16	2						
5	88000BN0T000	KEY LOCK SET.	1						
6	95000BMDT000	HORN COMP (E MARK)	1						
7	88800BN0T000	LOCK ASSY., SEAT	1						
8	96500BM0T000	FLASHER RELAY COMP	1						
9	88400BM0T000	LOCK ASSY., FUEL TANK	1						

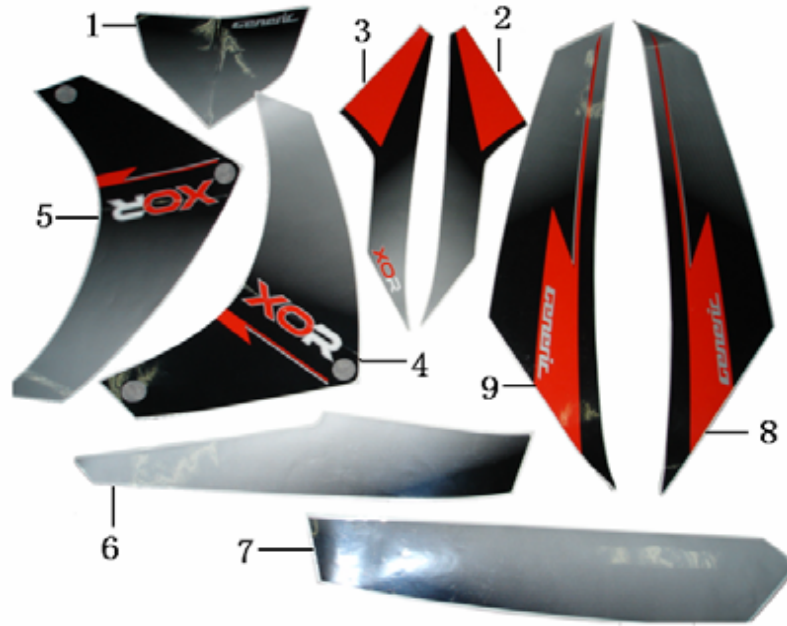


REF. NO.	PART NO.	DESCRIPTION	Q'TY	DESIGN CHANGE	DATE	APPLY	SUBSTITUTION	SRT	REMARK
1	02110BM0T000	TOOL BAG	1						
2	02102BM0T000	WRENCH, SPARK PLUG	1						
3	02101BM0T000	LEVER, SPARK PLUG	1						
4	02103BM0T000	SCREW DRIVER	1						
5	02104BM0T000	HANDLE	1						
6	02114BM0T000	FUNNEL	1						
7	02115BM0T000	RR. ABSORBER ADJUSTER	1						
8	02117BMBT000	WRENCH	1						

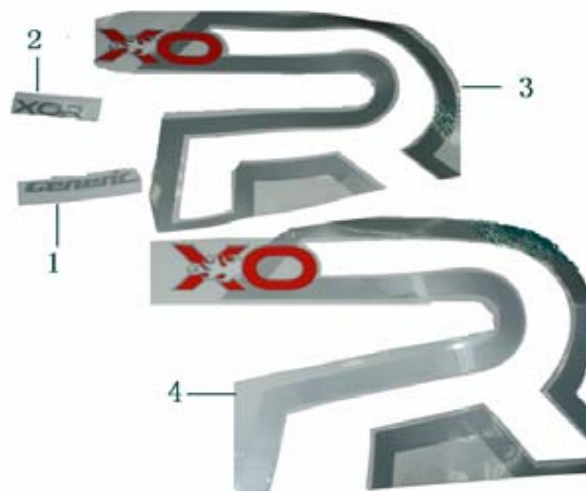


REF. NO.	PART NO.	DESCRIPTION	Q'TY	DESGIN CHANGE	DATE	APPLY	SUBSTITUTION	SRT	REMARK
1	08351BN0T000	KICK STARTER COMP	1						
2	B02050602565	SCREW 6X25	1						





REF. NO.	PART NO.	DESCRIPTION	Q'TY	DESGIN CHANGE	DATE	APPLY	SUBSTITUTION	SRT	REMARK
1	05510BN0T000	STICKER, FR. HANDLE COVER	1						
2	05521BN0T000	STICKER, LH FRONT COVER	1						
3	05529BN0T000	STICKER, RH FRONT COVER	1						
4	05501BN0T000	STICKER, FR. L SIDE COVER	1						
5	05509BN0T000	STICKER, FR. L SIDE COVER	1						
6	05541BN0T000	STICKER, L SIDE COVER	1						
7	05549BN0T000	STICKER, R SIDE COVER	1						
8	05511BN0T000	STICKER, L BODY COVER	1						
9	05519BN0T000	STICKER, R BODY COVER	1						



REF. NO.	PART NO.	DESCRIPTION	Q'TY	DESGIN CHANGE	DATE	APPLY	SUBSTITUTION	SRT	REMARK
1	05510BN0T001	STICKER, FR. HANDLE COVER	1						
2	05529BN0T001	STICKER, RH FRONT COVER	1						
3	05511BN0T001	STICKER, L. BODY COVER	1						
4	05519BN0T001	STICKER, R. BODY COVER	1						



REF. NO.	PART NO.	DESCRIPTION	Q'TY	DESGIN CHANGE	DATE	APPLY	SUBSTITUTION	SRT	REMARK
1	05511BN0T002	STICKER, L. BODY COVER	1						
2	05519BN0T002	STICKER, R. BODY COVER	1						
3	05529BN0T001	STICKER, RH FRONT COVER	1						
4	05510BN0T001	STICKER, FR. HANDLE COVER	1						